

Wave Surfer



INSTRUCTION MANUAL EN · IT · DE · ES



SICCE S.r.l.

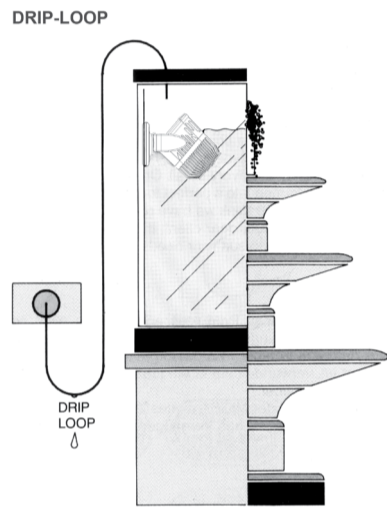
Via V. Emanuele, 115 - 36050 Pozzoleone (VI) - Italy
Tel. +39 0444 462826 - Fax +39 0444 462828
P. IVA / VAT 02883090249
info@sicce.com - www.sicce.com

Tab. 1

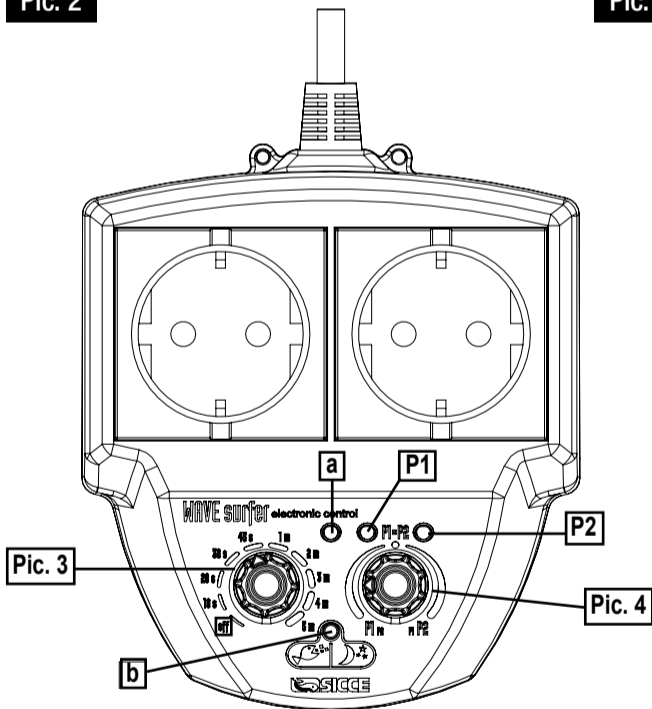
Left knob (Fig. 3)	Right knob (Fig. 4)				
	P1 = P2	P1 P2		P1 P2	
		P1	P2	P1	P2
OFF	-	-	-	-	-
10"	5" - 5"	8"	2"	2"	8"
20"	10" - 10"	16"	4"	4"	16"
"	"	"	"	"	"
"	"	"	"	"	"
3 min.	90" - 90"	144"	36"	36"	144"
4 min.	120" - 120"	192"	48"	48"	192"
5 min.	150" - 150"	240"	60"	60"	240"

IMPORTANT

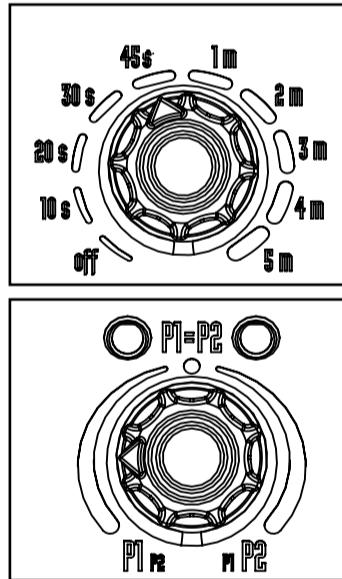
EN - The device cannot be put into water.
IT - Non immergere l'apparecchio in acqua.
DE - Das Gerät ist nicht wasserfest.
ES - El aparato no es sumergible en agua.



Pic. 2



Pic. 3



Pic. 4

WARRANTY GARANZIA GARANTIE GARANTIED

SEAL AND SIGNATURE OF RESALE DEALER
TIMBRO E FIRMA DEL RIVENDITORE
STEMPEL UND UNTERSCHRIFT DES VERKAUFERS
SELLO Y FIRMA DEL REVENDEDOR

DATE OF PURCHASE
DATA DI VENDITA
VERKAUFSDATUM
FECHA DE VENTA

____ / ____ / ____
day month year

EN

IMPORTANT

The device cannot be put into water.

Dear customer, thanks for choosing WAVE SURFER, the new SICCE product, designed to simulate the natural movement of the sea in marine aquariums.

IMPORTANT: Before use, please carefully read the following instructions to use in the best way your Wave Surfer. Please save these instructions.

SAFETY INSTRUCTIONS

WAVE SUREFR is made in conformity with the national and international security laws.

- 1) Always isolate the pump from the mains electricity before installing or carrying out any maintenance. Power to the pump must be supplied through a Residual Current Device (RCD) with a rated residual operating current not exceeding 30mA
- 2) Check that the voltage and the frequency on the technical data label are the same as the voltage and the frequency of your mains supply.
- 3) Before connecting the pump to the electricity supply, check there are any damages on cord or plug.
- 4) The power cable of this product cannot be replaced or repaired; in case of damage, replace the entire unit.
- 5) This product is designed for indoor use only, and has an IP20 protection rating; it should not be turned on unless you have ensured that the unit is completely dry.

cable and plug are intact.

- 1) Remove the product from the box and completely unwind the power cable.
- 2) Place the unit in a dry place where it can't accidentally fall or anchor it to the wall with 2 screws (NOT INCLUDED) - N.B. The device cannot be put into water.
- 3) Place 1 or 2 pumps inside the tank.
- 4) Connect each pump to the WAVE SURFER's socket/s respectively.
- 5) Check that the left knob (Pic.3) is set on "off".
- 6) Connect the unit to the mains power supply. Activate time-cycle with the left knob (Pic. 3): a green light (Pic. 2/a) will show that the unit is operating and two blue lights (P1 and P2) will show which pump is functioning.
- 7) Rotate the left knob (Pic. 3) to set the required time-cycle.
- 8) Rotate the right knob (Pic. 4) to set the distribution on each channel (refer to the examples in Table 1).

EXTRA FUNCTIONS:

FISH FOOD - TIME SETTING (1 CLIC)

This special function is useful for the administration of food and medicines: with a single click of the dedicate button (Pic. 2/b) both channels, P1 and P2 (and their LEDs P1 and P2) will deactivate for a pre-set duration of 4 MINUTES in order to stabilise the movement of water and allow a correct absorption of the food, especially to the invertebrates. Customise the duration of the "FISH FOOD." function - Proceed as follows:

- 1) Keep the FISH FOOD. button pressed for 7 seconds until both P1 and P2 LED's flash simultaneously.
- 2) Set the left knob on the preferred time.
- 3) Press the (b) button to confirm.

deactivate it, press the button for about 2 seconds during night mode, the green LED will flash to communicate that the mode was cancelled successfully.

In case of a power cut or if the product is disconnected from the mains during operation, the internal timer resets. When the supply is restored, the night mode will start automatically; it will be necessary to exit this mode and re-program it to the preferred settings. In case the product is turned OFF with the knob, the internal timer keeps working and keeps the night mode memorised.

NOTE: this function only works if only two pumps are connected.

MAINTENANCE

The product does not need special maintenance. However we recommend keeping the surface of the unit (and its surroundings) clean from dust and to periodically check that there are no limestone or dirt deposits.

To clean the unit, first disconnect it from the mains, and then clean thoroughly with a soft toothbrush.

INSTRUCTIONS FOR THE CORRECT DISCHARGE OF THE PRODUCT ACCORDING TO EU DIRECTIVE 2002/96/EC

When used or broken, the product does not have to be discharged with the other waste. It can be delivered to the specific electric waste collection centers or to dealers who give this service. Discharge separately an electric tool avoid negative consequences for the environment and for the Health and allows to regenerate the materials so to have a great saving of energy and resources.

IT

IMPORTANTE

Non immergere l'apparecchio in acqua.

Gentile Cliente, grazie per aver scelto WAVE SURFER, il nuovo prodotto di SICCE progettato per la simulazione del movimento naturale del mare all'interno degli acquari di barriera.

IMPORTANTE: Prima dell'uso, leggere attentamente queste istruzioni per utilizzare al meglio le caratteristiche funzionali di questo apparecchio. La preghiamo di conservare questo manuale.

NORME IMPORTANTI PER LA SICUREZZA

WAVE SURFER è conforme alle norme di sicurezza nazionali ed internazionali.

- 1) Controllare che la tensione riportata sull'etichetta della pompa corrisponda alla tensione di rete. L'apparecchio deve essere alimentato attraverso un interruttore differenziale (salvavita), la cui corrente nominale sia inferiore o uguale a 30mA.
- 2) Controllare che tensione e frequenza riportate nell'etichetta dati tecnici corrispondano a quelle della propria rete elettrica.
- 3) Prima di collegare l'apparecchio alla rete controllare che il cavo e la pompa non risultino in qualche modo danneggiati.
- 4) Il cavo di alimentazione di questo prodotto non può essere sostituito né riparato; in caso di danneggiamento del medesimo, sostituire l'intera unità.
- 5) L'apparecchio è stato progettato per uso interno con grado di protezione IP20, pertanto deve essere messo in funzione solo dopo aver accertato la totale assenza di acqua e/o gocce di umidità su tutta la sua superficie.

- 6) Never put the device in the water and place it somewhere where it CANNOT fall into the water or have contact with water.
- 7) This unit is non-submersible. To avoid the possible risk of electric shock place the unit in a dry place safe from splashing, moisture and salt creep, where it can't accidentally fall into water. The unit can be anchored to a wall with 2 screws (not included).
- 8) This product is designed for aquarium use only. Use in other applications may damage its components, voiding the warranty immediately.
- 9) We recommend using this product with TMC V2POWER FLOW pumps. In all other cases, do not attach devices with power higher than 100W - 1.5 Amp to the power sockets on top of the unit.
- 10) The pump cannot be used by people with handicaps or by children if they are not supervised by a person responsible for their safety.
- 11) Always leave a drip-loop in the pump cable to prevent water running down the cable and reaching the power source (Pic. A).
- 12) It is preferable to avoid the use of extensions for the cable. If an extension cable is necessary, it should be of the correct rating, equivalent to the one provided with the product. We recommend contacting a qualified technician for installation and connection.
- 13) The product does not need special maintenance, it is sufficient to remove regularly the dust or the dirt sediments from the product and its surroundings.

INSTALLATION

WARNING: disconnect all the electric devices from the mains supply before putting your hands into the water. Before switching the product on, check that it is undamaged and that the power

The last setting of the FISH FOOD. mode is memorised and it will repeat every 24 hours.

To manually deactivate this function "CLIC" the same button again during FISH FOOD. mode to cancel it and it will repeat the next day only. In case you want to completely deactivate it, just press the button for about 2 seconds during this mode, in case it is not active, it is sufficient to access the control and deactivate as described previously.

The green LED will flash to indicate that the repetition was cancelled. At the next activation, the command will be repeated again.

repetition was cancelled. At the next activation, the command will be repeated again. In case of a power cut or if the product is disconnected from the mains during operation, the timer resets.

When the power supply is restored, FISH FOOD. mode will start directly with the time set.

In case of personalisation of the FISH FOOD. mode this remains memorised, but it will be necessary to re-set the command to the preferred time.

NIGHT MODE - TIME SETTING (2 sec. PRESS)

This function reduces water movement for 8 hours overnight. Hold down the dedicated button (Pic. 2/b) for about 2 SECONDS, the central LED (Pic. 2/a) will start flashing to indicate the mode was successfully set. This will deactivate the cycling of P2 for 8 HOURS (fixed time, not customizable) then P2 will re-start the regular time-cycle.

The last setting of the NIGHT mode is memorised and will be repeated every 24 hours.

To temporarily deactivate this function, "CLIC" the button during night mode. It will start again the next day. To completely

ONLINE HELP

Watch our tutorial videos on THE SICCE YOU TUBE official channel www.youtube.com/SICCEspa.

WARRANTY

This product is guaranteed against defects of materials and workmanship for a period of 2 years from the date of purchase. The warranty certificate must be filled in by the dealer and must accompany the pump if it is returned for repair, along with the cash register receipt or similar document. The warranty covers the replacement of the defective parts. In case of improper use, tampering or negligence by the buyer or user, the guarantee is void and expires immediately. The guarantee is also void in absence of the cash register receipt or similar document. The shipping cost to and from the factory, or the repair station, have to be paid by the buyer.

6) Non immergere mai l'apparecchio in acqua e sistemarlo in modo da evitare che possa cadere o entrare in contatto con quest'ultima.

7) Posizionare il prodotto in un luogo asciutto al riparo da schizzi, umidità e vapori salini, in modo da non comprometterne il funzionamento evitando possibili rischi di shock elettrico.

8) Il prodotto è stato studiato per un utilizzo esclusivo in acquariologia. Qualsiasi altra applicazione potrebbe rovinarne i componenti facendone decadere immediatamente la garanzia.

9) Si consiglia l'abbinamento dell'unità con le pompe di movimento TMC V2POWER FLOW. In tutti gli altri casi, non applicare alle prese, presenti sulla parte superiore, prodotti con consumi superiori a 100W-1,5 A per ciascuna presa.

10) Questo dispositivo non è progettato per essere utilizzato da persone (inclusi bambini) con ridotte capacità fisiche, sensoriali e mentali a meno che non siano supervisionati ed istruiti da persone responsabili per la loro sicurezza. Tenere il dispositivo lontano dalla portata dei bambini.

11) Per evitare che accidentali gocciolamenti bagnino la spina o la presa di corrente, realizzare con il cavo un'ansa sotto il livello della presa (Fig. A).

12) E' preferibile non usare prolunghes per il cavo. Se necessario, contattare un installatore qualificato per assicurarsi che il cavo sia equivalente a quello dell'apparecchio. Per eseguire l'allacciamento si consiglia di rivolgersi ad un installatore qualificato.

13) Il prodotto non necessita di particolari manutenzioni, sarà sufficiente eliminare saltuariamente la polvere o depositi di sporcizia dal prodotto e nel luogo dove è posizionato.

