

UV-C CLARIFIER



SEAL AND SIGNATURE OF RESALE DEALER
TIMBRO E FIRMA DEL RIVENDITORE
STEMPEL UND UNTERSCHRIFT DES VERKAUFERS
CACHET ET SIGNATURE DU REVENDEUR
SELLO Y FIRMA DEL REVENDEDOR
STEMPEL EN HANDEKENING VAN DE DEALER
CARIMBO E ASSINATURA DO REVENDEDOR



DATE OF PURCHASE
DATA DI VENDITA
VERKAUFSDATUM
DATE DE VENTE
FECHA DE VENTA
DATUM VAN AANKOOP
DATA DE VENDA

WARRANTY
GARANZIA
GARANTIE
GARANTIA
GARANTIED
GARANTIA
GARANTI

____ / ____ / ____
day month year

UV-C CLARIFIER

SICCE WEBSITE



YouTube™



IMPORTANT SAFETY INSTRUCTIONS

WARNING - To guard against injury, basic safety precautions should be observed, including the following.

READ AND FOLLOW ALL SAFETY INSTRUCTIONS

CAUTION: Always disconnect the pump when not in use, before adding or removing parts and before cleaning.

- Do not allow the filter to run dry. UV-C CLARIFIER can be installed both immersed in water and out of water.

- This appliance is to be used in a circuit protected by a ground fault circuit interrupter.

WARNING: - To reduce the risk of electric shock, install only on a circuit protected by a Ground - Fault Circuit - Interrupter (GFCI).

- This appliance has not been investigated for use in swimming pool or marine areas.

- To avoid possible electric shock, special care should be taken since water is employed in the use of pond equipment. For each of the following situations, do not attempt repairs by yourself. Return the appliance to an authorized service facility for service or discard the appliance.

1) Do not operate any appliance if it has a damaged cord or plug, or if it doesn't work properly or has been dropped or damaged in any manner.

2) To avoid the possibility of the appliance plug or receptacle getting wet, position the filter to one side of a wall-mounted receptacle to prevent water from dripping onto the receptacle or plug.

A "drip-loop" (**Fig. A**) should be arranged by the user for each cord connecting a pond filter appliance to a receptacle. The "drip-loop" is the part of the cord below the level of the receptacle or the connector if an extension cord is used, which prevents water travelling along the cord and coming in contact with the receptacle.

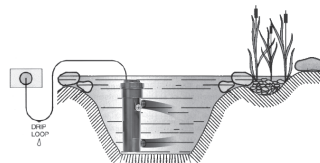
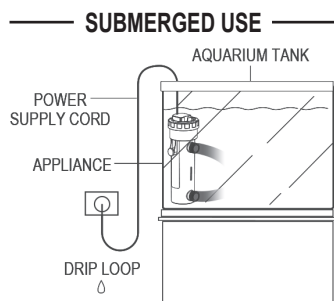
If the plug or socket does get wet, DON'T unplug the cord. Disconnect the fuse or circuit breaker that supplies power to appliance. Then unplug and examine for presence of water in the receptacle.

3) Close supervision is necessary when any appliance is used by near children.

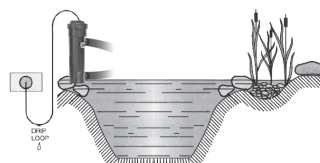
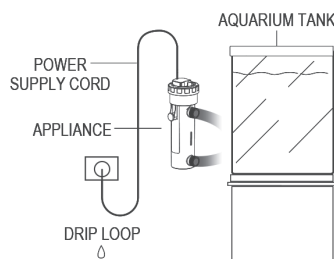
4) To avoid injury, do not contact moving parts or hot parts such as heaters, reflectors, lamp bulbs and similar.

5) Always unplug an appliance from an outlet when not in use, before putting on or taking off parts and before cleaning. Never yank cord to pull plug from

Fig. A - DRIP LOOP



— NOT SUBMERGED USE —



outlet. Grasp the plug and pull to disconnect.

6) Do not use an appliance for other than intended use. The use of attachments, not recommended or sold by the manufacturer of the appliance, may cause an unsafe condition.

7) Do not install or store the appliances where it will be exposed to the weather or to temperatures below freezing.

8) Make sure an appliance used in a pond is securely installed before operating it.

9) Read and observe all the important notices of the appliance.

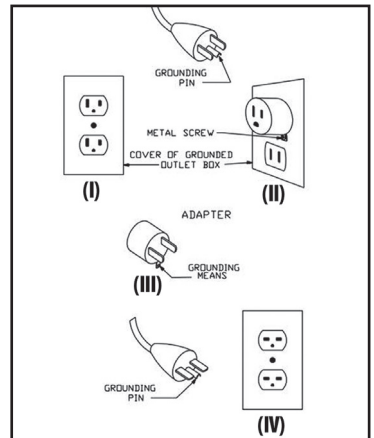
10) If an extension cord is necessary, a cord with a proper rating should be used. A cord rated for less amperes or watts than the appliance rating may overheat. Care should be taken to arrange the cord so that it will not be tripped over or pulled.

11) This appliance has a polarized plug (one blade is wider than other). As a safety feature, this plug will fit in a polarized outlet only one way. If the plug does not fit fully in the outlet, reverse the plug. If it still does not fit, contact a qualified electrician. Never use with an extension cord unless plug can be fully inserted. Do no attempt to defeat this safety feature.

GROUNDING INSTRUCTIONS

This appliance should be grounded to minimize the possibility of electric shock. This appliance is equipped with an electric cord having an equipment grounding conductor and a grounding type plug. The plug must be plugged into an outlet that is installed and grounded in accordance with all appropriate codes and ordinances.

This appliance is for use on a nominal 120-volt circuit, and has a grounding plug that looks like the plug illustrated in (II). A temporary adapter which looks like the adapter illustrated in (III) and (IV) below may be used to connect this plug to a two-pole receptacle as shown in (III) if a grounded outlet is not available. The temporary adapter should be used only until a grounded outlet is not available. The temporary adapter should be used only until a grounded outlet can be installed by a qualified electricician. The green-colored rigid ear (lug, and the like) extending from the adapter must be fastened to a permanent ground such as a grounded outlet box.



SAVE THESE INSTRUCTIONS

CONSIGNES DE SÉCURITÉ IMPORTANTES

MISE EN GARDE: Afin de se protéger contre les blessures, des mesures de sécurité de base doivent être observées, y compris les suivantes.

LIRE ET OBSERVER TOUTES LES CONSIGNES DE SÉCURITÉ

ATTENTION: Toujours débrancher une pompe qui ne sert pas, ou à laquelle on doit ajouter ou retirer des pièces ou qui doit être entretenue.

- Ne pas faire fonctionner le filtre à sec. UV-C CLARIFIER peut être installé aussi bien immergé que externe.

- Cette appareil doit être branchée à une dérivation protégée par un disjoncteur différentiel.

DANGER - Risque de choc électrique – Cette filtre est munie d'une fiche de raccordement de mise à la terre. Afin de réduire le risque de choc électrique vous assurer qu'elle est branchée seulement à une prise de courant adéquatement mise à la terre.

- Pour réduire le risque de choc électrique, installer seulement sur un circuit protégé par GFCI.

Cette appareil n'a pas été étudiée pour une utilisation dans une piscine ou des zones marines.

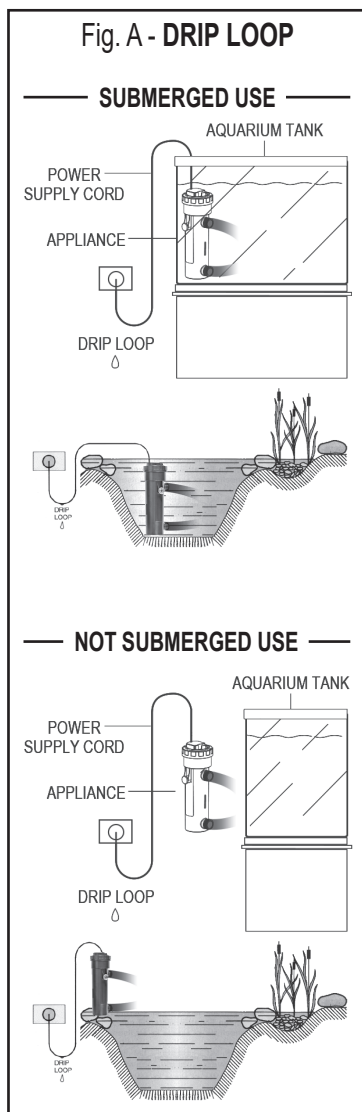
- Pour éviter tout choc électrique, une grande prudence est de rigueur. Dans chacune des situations suivantes, ne pas essayer de réparer l'appareil soi-même; l'expédier au fabricant pour réparation ou le jeter.

1) Ne pas faire fonctionner un appareil défectueux, dont le cordon électrique ou la fiche sont endommagés, ou qui a été échappé ou abîmé d'une façon quelconque.

2) Afin d'éviter que l'appareil ou la prise de courant soient mouillés, installer le support placez le filtre d'un côté d'une prise de courant pour empêcher l'eau de dégoutter sur la prise. L'utilisateur devrait faire une boucle d'égouttement (**Fig. A**) doit être installée par l'utilisateur pour chaque cordon reliant un appareil de filtration de bassin à une prise. Une boucle d'égouttement est la partie du cordon se trouvant sous la prise de courant ou le raccord si une rallonge électrique est utilisée, afin d'empêcher l'eau de circuler le long du cordon électrique et d'être en contact avec la prise de courant. Si la fiche ou la prise de courant sont mouillées, **NE PAS** débrancher le cordon électrique. Débrancher d'abord le fusible ou disjoncteur qui fournit l'électricité à l'appareil et débrancher ensuite l'appareil en vérifiant qu'il n'y a pas d'eau dans la prise.

3) Il est essentiel de surveiller étroitement les enfants utilisant cet appareil ou se trouvant à proximité.

4) Pour éviter les accidents, ne pas toucher aux pièces mobiles ou chaudes



comme les chauffe-eau, réflecteurs, ampoules, etc.

5) Toujours débrancher l'appareil quand il n'est pas utilisé, quand des pièces sont enlevées ou remplacées et avant l'entretien. Ne jamais tirer sur le fil pour débrancher l'appareil; prendre la fiche et débrancher l'appareil.

6) Ne pas utiliser un appareil pour un emploi autre que celui pour lequel il a été fabriqué. Les pièces non vendues ou non recommandées par le fabricant pourraient compromettre la sécurité de l'appareil.

7) Ne pas exposer cet appareil aux intempéries ou à une température en dessous de 0° C.

8) Vous assurer qu'un appareil monté sur un aquarium est bien installé avant de le faire fonctionner.

9) Lire et observer tous les avis importants sur l'appareil.

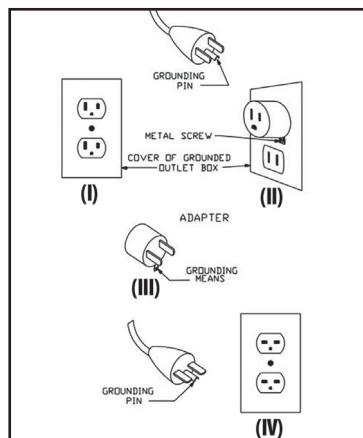
10) Si une rallonge électrique est nécessaire, vous assurer qu'elle est d'un calibre adéquat. Un cordon électrique de calibre inférieur ou de moins d'ampères ou de watts que l'appareil peut surchauffer. Le cordon doit être placé de façon à éviter que quelqu'un trébuche ou le tire.

11) Cet appareil possède une fiche polarisée (une lame est plus large que les autres). Par mesure de sécurité, cette fiche s'insère dans une prise polarisée que dans un sens. Si la fiche n'entre pas complètement dans la prise, inverser la fiche. Si elle ne rentre toujours pas, contactez un électricien qualifié. Ne jamais utiliser une rallonge si la fiche peut être insérée complètement. Ne pas essayer de contourner ce dispositif de sécurité.

MISE À LA TERRE

Cet appareil doit être mis à la terre (masse) afin de minimiser les risques de choc électrique. Cet appareil est équipé d'un cordon électrique possédant un conducteur de terre et une prise de terre. La fiche doit être branchée dans une prise installée et mise à la terre en conformité avec tous les codes et les ordonnances appropriées.

Cet appareil est destiné à l'utilisation dans un circuit de 120 volts nominales et a une fiche de mise à la terre qui ressemble à la fiche illustrée en (II) ci-dessous. Un adaptateur temporaire qui ressemble à l'adaptateur illustré en (III) et (IV) ci-dessous peut être utilisé pour connecter cette fiche à une prise à deux broches comme indiqué dans (III), si une prise de terre n'est pas disponible. L'adaptateur temporaire ne doit être utilisé que jusqu'à quand une prise avec mise à la terre n'est pas disponible. L'adaptateur temporaire ne doit être utilisé que jusqu'à quand une prise de terre peut être installée par un électricien qualifié. L'ergot rigide de couleur verte (oreille, patte) se étendant de l'adaptateur doit être fixé à une mise à la terre permanente, comme par exemple une boîte de prise de terre.

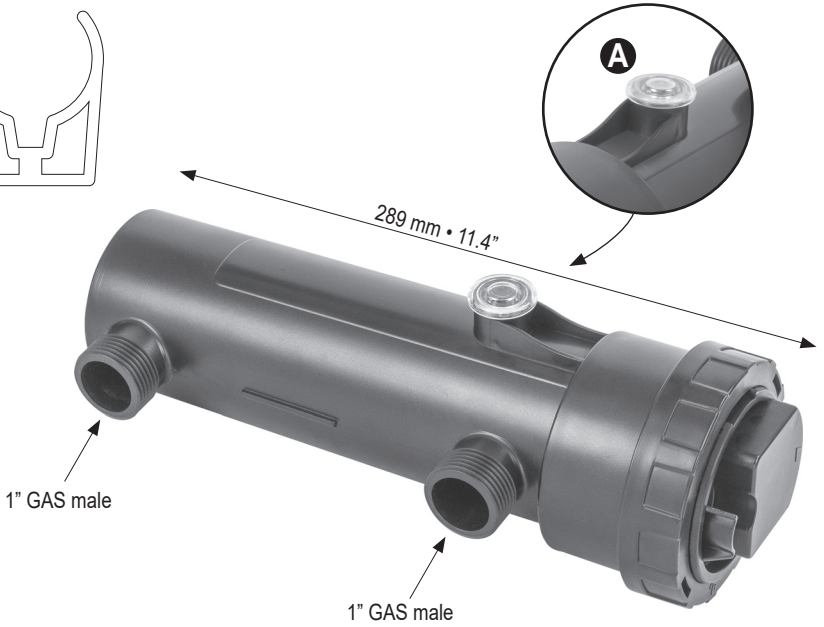
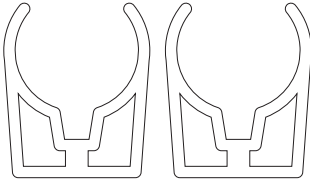


CONSERVER CES INSTRUCTIONS

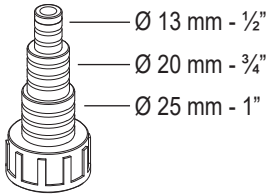
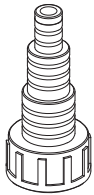
TECHNICAL DATA	7 W		9 W		13 W	
Volt	220 - 240 V	110 - 120 V	220 - 240 V	110 - 120 V	220 - 240 V	110 - 120 V
Hertz	50Hz	60Hz	50Hz	60Hz	50Hz	60Hz
Watt	7 W		9 W		13 W	
Max. pressure	0.3 bar		0.3 bar		0.3 bar	
Suggested aquarium size	from 100 to 400 l	from 25 to 100 US gal	from 200 to 600 l	from 50 to 150 US gal	from 300 to 1000 l	from 80 to 250 US gal
	Suggested use in combination with pumps with flow rate: from 200 to 500 l/h from 50 to 130 US gph		Suggested use in combination with pumps with flow rate: from 400 to 800 l/h from 100 to 200 US gph		Suggested use in combination with pumps with flow rate: from 600 to 1500 l/h from 150 to 400 US gph	
Suggested pond size	/		/		from 5000 to 10000 l	from 1300 to 2500 US gal
	/		/		Suggested use in combination with pumps with flow rate: from 1000 to 4000 l/h from 260 to 1000 US gph	
Cable length	Only indoor version: 3 m - 10.0 ft				Indoor version: 3 m - 10.0 ft	
					Outdoor version: 10 m - 20.0 ft	

SPARE PARTS	Code	Description
	SKT0329	UV-C lamp for UV-C Clarifier 7W
	SKT0327	UV-C lamp for UV-C Clarifier 9W
	SKT0328	UV-C lamp for UV-C Clarifier 13W

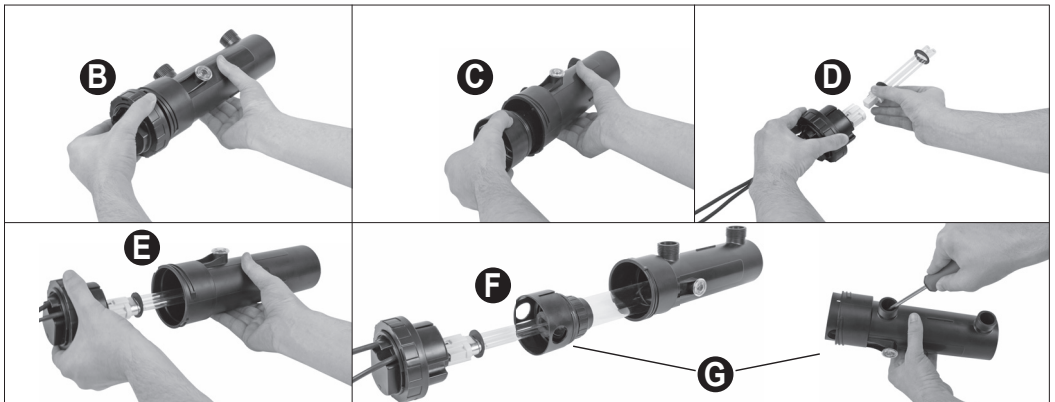
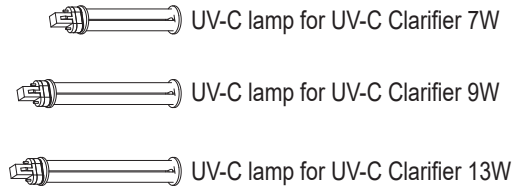
MOUNTING BRACKETS



HOSE FITTINGS FOR FLEXIBLE PIPES



LAMP'S TYPE PER MODEL



The range of UV-C Clarifier has been designed for easy and practical use in aquariums and ponds.

The water inside the clarifier, flows though the UVC chamber where the UV-C lamp is positioned.

SAFETY INSTRUCTIONS

The UV-C Clarifier have been designed according to the national and international safety rules. Please read carefully the following instructions before use in order to avoid damages to persons/things.

- IMPORTANT:** always disconnect the power plug and any other appliances in use in the aquarium or pond, before touching the water, before any installation or maintenance and even when the appliances are not in use.
- CAUTION:** The Ultraviolet rays might be dangerous. Never look directly and touch the UV-C Lamp when it is on. This can harm eyes and skin. To check the functioning of the lamp, use the UV-C light indicator (A).
- Never use the power cable to lift or move the appliance.
- Do not use the appliance for swimming pools or other application where there might be people in the water.
- Do not use the appliance if the power cable or plug are damaged. If the product is damaged it must be replaced by a specialized after sales center.
- Keep children and disabled persons away from this appliance.
- The electrical supply must comply with electrical data written on the label of the product.
- If an extension lead is required, make sure it is waterproof.
- This product has been designed to work with water at a temperature between +4° C / +39,2° F and +35° C / 95° F.
- If the temperature drops below 0° C / 32° F, unplug the power and completely empty the clarifier. During winter it is better to remove the clarifier and store it in a sheltered place.
- Never operate the appliance without water.
- Never operate the appliance with liquids different from water.
- Never connect the clarifier to the hydraulic system.

COMPONENTS

- UV-C Clarifier
- Step hose holder
- Mounting brackets



FEATURES

- 24-hour operation
- UV-C clarifier with indicator light
- IP68 submersible device

INSTALLATION

The clarifier can be installed both immersed in water and out of water. It makes no difference which sleeve to use for the water inlet and outlet. Connect the hoses to the hose holders supplied. If necessary, cut the smaller diameters of the hose holder, if they are not used, to avoid creating obstructions. Screw the hose holders to the clarifier, paying attention to the presence and correct positioning of the O-rings. It is advisable to limit the flow of water inside the clarifier because a slower flow increases exposure to UV-C rays and subsequently its effectiveness. Position it so that the blue indicator light is visible to the user. The clarifier contains a glass lamp and a quartz glass tube: handle with care during installation to avoid damaging these internal components.

Connect the power cable only after completing the clarifier installation. The bright blue light will indicate that the UV-C lamp is working.

Never lift the clarifier with the power cord since this will damage the cord, the UV-C Clarifier, or the pump.

UV-C LAMP REPLACEMENT

To optimize the UV-C clarifications, it is recommended to change the UV-C lamp after approx. 8000 hours of operation or once per year.

Disconnect the power cord from the electrical outlet.

1. Turn the outer ring nut **(B)** counterclockwise until it stops. The head **(C)** of the transformer rises a few millimeters and is thus easily removed from the housing. A safety system turns off the lamp, in case the power has not been turned off, to prevent exposure to UV-C rays during maintenance.
2. Release the lamp **(D)** from its socket by pulling it gently.
3. Reinstall the new lamp in the same manner.
4. Insert the head **(C)** back into the clarifier-there is only one position for the head to enter the clarifier **(E)**.
5. Turn the ring nut **(B)** clockwise to complete the operation.

CLEANING THE QUARTZ SLEEVE

6. To clean the quartz tube, after step 1, pull out the tube assembly **(F)** through the two appropriate openings **(G)** or by using a screwdriver. Clean the outside of the quartz sleeve with a small brush, mild soap, or Sicce's PUMP CLEAN.
7. Insert the assembly **(F)** back into the housing - there is only one position for the assembly to enter the housing **(E)** so line up the notch.
8. Resume reassembly from step 4.

Winter season

The clarifier must be protected from freezing. During the winter season the clarifier should be turned off, emptied of all water, removed from the pond and stored in a dry, sheltered place. It is recommended to leave the clarifier open during storage.

ONLINE HELP

Watch our tutorial videos on THE SICCE YOUTUBE official channel www.youtube.com/SICCEspa.

INSTRUCTIONS FOR THE CORRECT DISCHARGE OF THE PRODUCT ACCORDING TO EU DIRECTIVE 2002/96/EC

When used or broken, the product does not have to be discharged with the other waste. It can be delivered to the specific electric waste collection centers or to dealers who give this service. Discharge separately an electric tool avoid negative consequences for the environment and for the Health and allows to regenerate the materials so to have a great saving of energy and resources.

WARRANTY

SICCE warrants this product against defects in material and workmanship for a period of two (2) years from the date of original purchase, with the exception of the lamp. This warranty is limited to repair or replacement (at Sicce's option) of defective product only and does not cover loss of fishes and plants of the pond, personal injury, property loss, or damage arising from the use of the product. We recommend to keep the original proof of purchase to validate the warranty. Warranty claims must be submitted to the retailer where you purchased the product. Failure to present proof of purchase attached to the claim will invalidate the right to the guarantee. By connecting to the website www.sicce.com, in the appropriate session, you can request assistance if it has not been possible to contact the dealer. Also in this case the proof of purchase will be a fundamental requirement for the correct execution of the return procedure. Any warranty herein shall run concurrently with, and not in addition to, any minimum warranty periods established by applicable law. The claimant must obtain a "Return Merchandise Authorization" at the time of filing before sending any product for warranty or technical service. The purchaser bears the cost of shipping to and from the service center or repair station. **EXCLUSIONS.** This warranty does not cover the following: *Damage resulting from accident, misuse, abuse, lack of reasonable care, use of the product that is other than normal or ordinary, using the project in abnormal working conditions or any other failures not resulting from defects in materials or workmanship. *Damage resulting from modification, tampering with or attempted repair by anyone other than Sicce or its designee. * Transfer of the product to someone other than the original purchaser. * Subjecting the product to electrical service not specified in the packaging; the original purchaser is responsible for providing adequate electrical facilities", the included lamp.

La gamma di UV-C Clarifier è stata progettata per un facile e pratico utilizzo negli acquari e nei laghetti. **L'acqua segue un percorso forzato che la incanala all'interno dell'involucro dove è posizionata la lampada UV-C.**

AVVERTENZE SULLA SICUREZZA

I chiarificatori UV-C sono stati progettati nel rispetto delle norme nazionali ed internazionali di sicurezza. Al fine di evitare qualsiasi danno a cose e/o persone è opportuno leggere attentamente le seguenti istruzioni.

- 1. IMPORTANTE:** scollegare sempre la spina dell'alimentazione di questo prodotto e di tutti gli altri apparecchi presenti nell'acquario e nel laghetto prima di mettere le mani in acqua e di eseguire qualsiasi intervento di installazione o manutenzione.
- 2. ATTENZIONE:** i raggi ultravioletti possono essere pericolosi. Non guardare mai direttamente la lampada UV-C quando è accesa perchè può provocare danni agli occhi o alla pelle. Il controllo del funzionamento della lampada va effettuato attraverso l'apposita spia trasparente (A).
3. Non sollevare o spostare mai il prodotto tramite il cavo di alimentazione.
4. Non impiegare l'apparecchio in piscine o altri contesti dove siano immerse persone in acqua.
5. Non usare l'apparecchio se presenta danneggiamenti al cavo o alla spina. Se il prodotto risulta danneggiato, deve essere sostituito o riparato da un centro assistenza specializzato.
6. Il prodotto non è stato progettato per l'uso da parte di persone diversamente abili o bambini, tenere fuori dalla loro portata.
7. La connessione elettrica dell'apparecchio deve rispettare i dati riportati sull'etichetta dati elettrici del prodotto stesso.
8. Se fosse necessario utilizzare una prolunga, assicurarsi che sia a tenuta stagna.
9. Questo prodotto è stato progettato per trattare acqua a temperatura compresa tra +4° C e +35° C.
10. Se la temperatura scende sotto 0° C staccare l'alimentazione e svuotare completamente il chiarificatore. Nel periodo invernale è opportuno rimuovere e sistemarlo in un luogo riparato.
11. Non utilizzare mai l'apparecchio a secco.
12. Non utilizzare questo prodotto con liquidi diversi dall'acqua.
13. Non connettere mai il prodotto alla rete idraulica.

COMPONENTI

1. Chiarificatore UV-C
2. Portagomma a gradini.
3. Staffe di fissaggio.



CARATTERISTICHE

- Funzionamento 24h
- Chiarificatore UV-C con indicatore luminoso
- Apparecchio sommergibile IP68

INSTALLAZIONE

Il chiarificatore può essere installato sia immerso in acqua che fuori dall'acqua. E' indifferente quale manico utilizzare per l'ingresso e uscita dell'acqua. Collegare i tubi ai portagomma in dotazione. Eventualmente tagliare i diametri più piccoli del portagomma, se non vengono utilizzati, per non creare ostruzioni. Avvitare i portagomma al chiarificatore facendo attenzione alla presenza e al corretto posizionamento delle guarnizioni. Si consiglia di limitare la portata d'acqua all'interno del chiarificatore perché un flusso più lento aumenta l'esposizione ai raggi UV-C e di conseguenza l'efficacia. Posizionarlo in modo che la spia blu luminosa sia visibile dall'utilizzatore. Il chiarificatore contiene una lampada in vetro ed una provetta in vetro di quarzo: maneggiare con cura durante l'installazione per evitare di danneggiare questi componenti interni.

Collegare il cavo di alimentazione solo dopo aver completato l'installazione del chiarificatore. La spia blu luminosa ne indicherà il funzionamento.

Non tirare mai il chiarificatore dal cavo di alimentazione: potreste recare danni al cavo e al prodotto.

SOSTITUZIONE LAMPADA UV-C

Per avere una potenza di filtraggio ottimale si consiglia di cambiare la lampada UV-C dopo ca. 8000 ore di funzionamento.

Scollegare il chiarificatore dalla presa di corrente.

1. Ruotare la ghiera esterna (**B**) in senso antiorario fino al fermo. La testa (**C**) del chiarificatore si solleva di qualche millimetro ed è così facilmente estraibile. Un sistema di sicurezza spegne la lampada, nel caso non fosse stata tolta l'alimentazione, per evitare l'esposizione ai raggi UV-C durante la manutenzione.
2. Sganciare la lampada (**D**) dalla sua sede tirandola con delicatezza.
3. Rimontare la lampada nuova nella stessa maniera.
4. Inserire nuovamente la testa (**C**) nel chiarificatore: c'è un'unica posizione della testa che le consente di entrare nello stesso (**E**).
5. Ruotare la ghiera (**B**) in senso orario per completare l'operazione.

PULIZIA DELLA PROVETTA

6. Per la pulizia della provetta in quarzo, dopo il punto 1, estrarre il gruppo provetta (**F**) tramite le due aperture apposite (**G**) o servendosi di un cacciavite. Pulire l'esterno della provetta con uno spazzolino, sapone neutro, oppure con PUMP CLEAN di Sicce.
7. Inserire nuovamente il gruppo provetta (**F**) nel chiarificatore: c'è un'unica posizione del gruppo provetta che gli consente di entrare nello stesso (**E**).
8. Riprendere il rimontaggio dal punto 4.

Periodo Invernale

Il filtro va protetto dal ghiaccio. Durante la stagione invernale l'apparecchio va spento. Togliere tutta l'acqua presente nel filtro, rimuoverlo e sistemarlo in un luogo riparato e asciutto. Si consiglia di tenere aperto il filtro durante lo stoccaggio.

ASSISTENZA

Vi consigliamo di prendere visione dei nostri video Tutorial a supporto dell'installazione e manutenzione dei prodotti, disponibili nel canale ufficiale www.youtube.com/SICCEspa.

AVVERTENZE PER IL CORRETTO SMALTIMENTO DEL PRODOTTO AI SENSI DELLA DIRETTIVA EUROPEA 2002/96/EC

Alla fine della sua vita utile, il prodotto non deve essere smaltito insieme ai rifiuti urbani. Può essere consegnato presso gli appositi centri di raccolta differenziata predisposti dalle amministrazioni comunali, oppure presso i rivenditori che forniscono questo servizio. Smaltire separatamente un elettrodomestico consente di evitare possibili conseguenze negative per l'ambiente e per la salute favorendo il recupero dei materiali ed un importante risparmio energetico.

GARANZIA

SICCE garantisce questo prodotto contro difetti di materiale e lavorazione per un periodo di due (2) anni dalla data di acquisto originale, ad eccezione della lampada. Questa garanzia è limitata alla riparazione o alla sostituzione (a discrezione di Sicce) del prodotto difettoso e non copre: perdita di pesci e/o piante nell'acquario, lesioni personali, danni da usura, danni da trasporto, o danni derivanti dall'uso improprio del prodotto. È necessario conservare la prova di acquisto originale per convalidare la garanzia. Qualsiasi garanzia qui contenuta deve essere eseguita in concomitanza e non in aggiunta a qualsiasi periodo minimo di garanzia stabilito dalla legge. I reclami in garanzia devono essere presentati al rivenditore presso il quale si è acquistato il prodotto. La mancanza di presentazione della prova d'acquisto allegata al reclamo, invaliderà il diritto alla garanzia. Collegandosi al sito www.sicce.com, nell'apposita sessione, si potrà richiedere assistenza, qualora non sia stato possibile contattare il rivenditore. Anche in questo caso la prova d'acquisto sarà requisito fondamentale per il corretto proseguo della procedura. Il richiedente deve ottenere una "Autorizzazione alla restituzione della merce" al momento della presentazione prima di inviare qualsiasi prodotto in garanzia o assistenza tecnica. L'acquirente sostiene i costi di spedizione da e verso il centro di assistenza o di riparazione. **ESCLUSIONI.** Questa garanzia non copre quanto segue: * Danni derivanti da incidenti, trasporto, uso improprio, abuso, mancanza di ragionevole cura, uso del prodotto diverso dal normale o ordinario, utilizzo del prodotto in condizioni di lavoro anomale o qualsiasi altro guasto non derivante da difetti nei materiali o nella lavorazione. * Danni derivanti da modifiche, manomissioni o tentativi di riparazione da parte di soggetti diversi da Sicce o da un suo incaricato. * Trasferimento del prodotto a soggetto diverso dall'acquirente originale. * Utilizzo del prodotto con standard elettrico diverso (Volt/Hz) da quello indicato.

Die UV-C Clarifier wurden für den einfachen und praktischen Einsatz in Aquarien und Gartenteiche entwickelt.
Das Klärwasser fließt durch die UV-C-Kammer, in der sich die UV-C-Lampe befindet.

HINWEISE ZUR SICHERHEIT

Die UV-C Wasserklärer entsprechen den nationalen und internationalen gesetzlichen Sicherheitsvorschriften. Um jegliche Sach- und/oder Personenschäden zu vermeiden, müssen die unten angegebenen Sicherheitsnormen beachtet werden.

- WICHTIG:** Immer den Netzstecker dieses Produkts und aller anderen im Gartenteich vorhandenen Geräte aus der Steckdose ziehen, bevor die Hände ins Wasser getaucht werden, irgendwelche Installierungs- und Wartungsarbeiten ausgeführt werden oder die Geräte nicht benutzt werden.
- ACHTUNG:** Die UV-C Strahlen sind gefährlich. Schauen Sie niemals direkt und berühren Sie die UV-C Lampe nie, wenn sie eingeschaltet ist. Die Augen und die Haut könnten beschädigt werden. Um die Funktion der Lampe zu überprüfen, verwenden Sie die UV-C Leuchtanzeige (A) am Filterkopf.
- Das Gerät keinesfalls durch Ziehen am Netzkabel anheben oder verlagern.
- Das Gerät nicht in Schwimmbecken oder sonstigen Einrichtungen, wo sich Personen im Wasser befinden, benutzen.
- Das Gerät nicht benutzen, wenn es Beschädigungen am Kabel oder am Stecker aufweist. Wenn sich das Produkt als beschädigt erweist, muss es von einem spezialisierten Kundendienst-Center ausgewechselt werden.
- Kindern darf der Gebrauch dieses Geräts nicht gestattet werden.
- Der elektrische Anschluss des Geräts muss die auf dem Typenschild des Produkts selbst angegebenen Daten berücksichtigen.
- Falls ein Verlängerungskabel benutzt werden muss, bitte sicherstellen, dass dieses wasserdicht ist.
- Dieses Produkt wurde für die Behandlung von Wasser mit einer Temperatur von + 4° C bis zu 35° C konzipiert.
- Wenn die Temperatur unter 0° C sinkt, bitte die Stromversorgung abtrennen und den Wasserklärer vollständig entleeren. Es ist anzuraten, den Wasserklärer im Winter zu entfernen und an einem geschützten Platz unterzubringen.
- Gerät keinesfalls ohne Wasser benutzen.
- Gerät keinesfalls mit anderen Flüssigkeiten als Wasser benutzen.
- Gerät soll niemals mit einer Hydraulische Einbindung eingeleitet werden.

KOMPONENTEN

- UV-C Wasserklärer
- Stufenschlauchhalter
- Befestigungswinkel



MERKMALE

- 24-Stundenbetrieb
- UV-C Kontrollleuchte
- IP68-Tauchgerät

INSTALLIERUNG

Der UV-C Wasserklärer kann sowohl im Wasser als auch außerhalb des Wassers installiert werden. Dabei spielt es keine Rolle, welche Muffe für den Wassereinlass und -auslass verwendet wird. Schließen Sie die Schläuche an die mitgelieferten Schlauchhalter an. Schneiden Sie bei Bedarf die kleineren Durchmesser des Schlauchhalters ab, falls dieser nicht verwendet wird und um ein Verstopfen zu vermeiden. Schrauben Sie die Schlauchhalter an den Wasserklärer und achten Sie dabei auf das Vorhandensein und die korrekte Positionierung der O-Ringe. Es ist ratsam, den Wasserfluss zu begrenzen da ein langsamerer Fluss die Wirksamkeit erhöht. Positionieren Sie das Gerät so, dass die blaue Anzeigeleuchte für den Benutzer sichtbar ist. Der Wasserklärer enthält eine Lampe aus Glas und ein Quarzglasrohr: gehen Sie bei der Einrichtung vorsichtig vor, um eine Beschädigung diese Elemente zu vermeiden.

Schließen Sie das Netzkabel erst an, nachdem die Installation des Klärers abgeschlossen ist. Das helle blaue Licht zeigt an, dass die UV-C-Lampe funktioniert.

Ziehen Sie den Wasserklärer niemals am Netzkabel da dadurch das Kabel beschädigt werden kann!

AUSTAUSCH DER UV-C LAMPE

Zur Optimierung der UV-C Leistung empfehlen wir die UV-C Lampe nach ca. 8000 Betriebsstunden oder Einmal im Jahr zu erneuern. Trennen Sie das Netzkabel von der Steckdose.

1. Drehen Sie den äußeren Ring (**B**) bis zu Anschlag gegen Uhrzeigersinn. Der Kopf (**C**) des Wasserklärers hebt sich um einige Millimeter und lässt sich leicht aus dem Gehäuse lösen. Ein Sicherheitssystem schaltet die Lampe aus, falls der Strom nicht abgeschaltet wurde, um zu verhindern, dass während der Wartung UV-C-Strahlungen ausgesetzt werden.
2. Lösen Sie die Lampe (**D**) aus ihrer Fassung, indem Sie vorsichtig daran ziehen.
3. Setzen Sie die neue Lampe auf die gleiche Weise wieder ein.
4. Setzen Sie den Kopf (**C**) wieder in den Wasserklärer ein – es gibt nur eine Position für den Kopf um in den Körper (**E**) einzutreten.
5. Drehen Sie den äußeren Ring (**B**) in Uhrzeigersinn, um den Vorgang abzuschließen.

QUARZROHREINIGUNG

6. Um das Quarzrohr zu reinigen, ziehen Sie nach Schritt 1 die Röhreneinheit (**F**) durch die beiden entsprechenden Öffnungen (**G**) oder mit einem Schraubendreher heraus. Reinigen Sie die Außenseite des Quarzrohrs mit einer milde Bürste, Seife oder PUMP CLEAN von SICCE.
7. Setzen Sie die Baugruppe (**F**) wieder in das Gehäuse ein - es gibt nur eine Position, wo die Baugruppe in das Gehäuse (**E**) eingeführt werden kann.
8. Setzen Sie den Zusammenbau ab Schritt 4 fort.

Winterzeit: Der UV-C Wasserklärer muss vor Frost geschützt werden. Im Winter sollte das Geräte ausgeschaltet werden, das gesamte Wasser entleert, das Gerät entfernt, getrocknet und geschützt aufbewahrt werden. Bei der Lagerung sollte der Wasserklärer offen sein.

ONLINEHILFE: Schauen Sie unseres Tutorial Video auf dem offiziellen SICCE YOUTUBE Kanal an:
www.youtube.com/SICCEspa.

ENTSORGUNG (NACH RL2002/96/EC): Das Gerät darf nicht dem normalen Hausmüll beigefügt werden, sondern muss fachgerecht entsorgt werden. Wichtig für Deutschland: Gerät über Ihre kommunale Entsorgungsstelle entsorgen. Entsorgung von Altgeräten: Wenn dieses Symbol eines durchgestrichenen Abfallimers auf einem Produkt angebracht ist, unterliegt dieses Produkt der europäischen Richtlinie 2002/96/EC. Alle Elektro- und Elektronik-Altgeräte müssen getrennt vom Hausmüll über die dafür staatlich vorgesehenen Stellen entsorgt werden. Mit der ordnungsgemäßen Entsorgung des alten Geräts vermeiden Sie Umweltschäden und eine Gefährdung der persönlichen Gesundheit. Weitere Informationen zur Entsorgung des alten Geräts erhalten Sie bei der Stadtverwaltung, beim Entsorgungsamt oder in dem Geschäft, wo Sie das Produkt erworben haben.

BESCHRÄNKTE GARANTIE: SICCE garantiert dem ursprünglichen Käufer dieses Produkt (siehe Ausschlüsse unten) für einen Zeitraum von zwei (2) Jahren ab dem ursprünglichen Kaufdatum gegen Material- und Verarbeitungsfehler, mit Ausnahme der Lampe. Diese Garantie beschränkt sich nur auf die Reparatur oder den Ersatz (nach Wahl von Sicce) des defekten Produkts und deckt nicht den Verlust von Aquarienleben, Personen- oder Sachschäden oder Schäden, die durch den Gebrauch des Produkts entstehen. Wir empfehlen, den Original-Kaufbeleg aufzubewahren, um die Garantie zu bestätigen. Garantieansprüche müssen bei dem Händler eingereicht werden, bei dem Sie das Produkt gekauft haben. Bei Nichtvorlage des der Reklamation beigefügten Kaufbelegs erlischt der Anspruch auf die Garantie. Durch die Verbindung mit der Website www.sicce.com, in der entsprechenden Sitzung, können Sie Hilfe anfordern, wenn es nicht möglich war, den Händler zu kontaktieren. Auch in diesem Fall ist der Kaufnachweis eine Grundvoraussetzung für die korrekte Durchführung des Rückgabeverfahrens. Die hierin enthaltene Garantie läuft parallel zu und nicht zusätzlich zu den gesetzlich vorgeschriebenen Mindestgarantiezeiten. Der Antragsteller muss eine "Warenrücksendegenehmigung" einholen, bevor er ein Produkt zur Gewährleistung oder zum technischen Service einsendet. Der Käufer trägt die Kosten für den Versand zum und vom Service-Center oder zur Reparaturstation. AUSSCHLÜSSE. Von dieser Garantie ist Folgendes ausgeschlossen: *Schäden, die auf einen Unfall, unsachgemäßen Gebrauch, Missbrauch, Mangel an angemessener Sorgfalt, eine nicht normale oder gewöhnliche Verwendung des Produkts, die Verwendung des Projekts unter anormalen Arbeitsbedingungen oder andere Fehler, die nicht auf Material- oder Verarbeitungsfehler zurückzuführen sind, zurückzuführen sind. *Schäden, die durch Modifikation, Manipulation oder Reparaturversuche durch andere Personen als Sicce oder deren Beauftragte entstanden sind. * Weitergabe des Produkts an eine andere Person als den ursprünglichen Käufer. * Anschluss des Produkts an einen Stromanschluss, der nicht in der Verpackung angegeben ist; der ursprüngliche Käufer ist für die Bereitstellung angemessener elektrischer Einrichtungen verantwortlich.

EN

IT

DE

FR

ES

NL

PT

UV-C CLARIFIER

La gamme de UV-C Clarifier a été conçue pour une utilisation facile et pratique dans les aquariums et les bassins de jardin.

L'eau du clarificateur traverse la chambre UV-C, où se trouve la lampe UV-C.

NORMES DE SECURITÉ

Les clarificateurs UV-C sont conformes aux normes de sécurité nationales et internationales. Nous vous prions de lire attentivement les notices suivantes avant d'utiliser le clarificateur UV-C afin d'éviter tout risque de blessures ou dommages.

- ATTENTION:** déconnectez tous les appareils électriques immergés avant une quelconque manutention ou nouvelle installation dans l'eau.
- ATTENTION:** Les rayons ultraviolets peuvent être dangereux. Ne JAMAIS regarder directement ou toucher la lampe UV-C quand elle est en fonction. Risques de blessures de la peau de des yeux. Pour vérifier le fonctionnement de la lampe, utilisez l'indicateur lumière UV-C (A).
- Ne jamais utiliser le câble d'alimentation pour soulever ou déplacer l'appareil.
- Ne pas utiliser l'appareil pour des piscines où un public pourrait s'y trouver.
- Ne pas utiliser l'appareil si le câble d'alimentation ou la prise sont endommagés. Si le produit est endommagé, il doit être remplacé par un centre de vente spécialisé.
- Cet appareil n'a pas été conçu pour une utilisation par des personnes (y compris des enfants) ayant une capacité physique, sensorielle ou mentale réduite, sauf en cas de surveillance par une tierce personne responsable de leur sécurité. S'assurer que les enfants ne touchent pas cet appareil.
- L'alimentation électrique doit être conforme aux données électriques écrites sur l'étiquette du produit.
- Si une rallonge est nécessaire, s'assurer qu'elle soit étanche (même la connexion).
- Ce produit a été conçu pour fonctionner avec une température d'eau entre +4° C et +35° C.
- Si la température descend en dessous de 0° C, débranchez le clarificateur et videz-le complètement. Pendant l'hiver, il est préférable de retirer le clarificateur et de le stocker dans un endroit abrité.
- Ne jamais faire fonctionner l'appareil sans eau.
- Ne jamais faire fonctionner l'appareil avec un liquide autre que l'eau.
- Ne jamais raccorder le clarificateur à un système hydraulique.

COMPOSANTS

- Clarificateur UV-C
- Support de tuyau étagé
- Supports de fixation



CARACTÉRISTIQUES

- Fonctionnement permanent sur 24 h
- Clarificateur UV-C avec voyant lumineux
- Appareil immergé IP68

INSTALLATION

Le clarificateur UV-C peut être installé aussi bien immergé que externe. Raccordez les tuyaux aux connecteurs d'entrée et de sortie fournis. Si nécessaire, adaptez et coupez les plus petits diamètres des connecteurs s'ils ne sont pas utilisés et ceci afin d'éviter une obstruction. Vissez les connecteurs de tuyaux au clarificateur en veillant à la présence et au bon positionnement des joints toriques. Il est conseillé de limiter ou d'adapter le débit d'eau du clarificateur car un débit plus lent augmente le temps d'exposition aux rayons UV-C et par conséquent leur efficacité. Positionnez le clarificateur de manière à ce que le voyant bleu soit visible de l'utilisateur. Le clarificateur contient une lampe en verre et un tube en quartz : manipulez ces parties avec précaution pour ne pas les endommager.

Connectez le câble d'alimentation uniquement après avoir terminé l'installation du clarificateur. La lumière bleue brillante indiquera que la lampe UV-C fonctionne.

Ne tirez jamais le clarificateur par le câble d'alimentation : vous pourriez endommager le câble ainsi que le produit.

REPLACEMENT DE LA LAMPE UV-C

Pour une clarification optimale, nous recommandons de remplacer la lampe UV-C après environ 8000 heures de fonctionnement.

Débranchez le clarificateur de la prise de courant.

1. Tournez la bague externe (**B**) dans le sens anti-horaire jusqu'à la butée. La tête du clarificateur (**C**) se soulève de quelques millimètres et peut ainsi être facilement extraite. Un système de sécurité éteint la lampe au cas où l'alimentation électrique n'aurait pas été coupée et afin d'éviter l'exposition aux rayons UV-C durant l'entretien.
2. Retirez la lampe (**D**) de son support en la tirant délicatement.
3. Remontez la lampe neuve de manière identique.
4. Insérez à nouveau la tête (**C**) dans le corps du clarificateur: une seule position de la tête lui permet d'entrer dans le corps (**E**).
5. Tournez la bague (**B**) dans le sens horaire pour verrouiller l'opération.

NETTOYAGE DU TUBE

6. Afin de nettoyer le tube en quartz après l'étape 1, retirez l'ensemble du tube (**F**) à l'aide des deux ouvertures prévues (**G**) ou d'un tournevis. Nettoyez l'extérieur du tube avec une brosse, du savon neutre ou avec PUMP CLEAN de SICCE.
7. Insérez à nouveau l'ensemble du tube (**F**) dans le filtre : une seule position lui permet d'entrer dans le clarificateur (**E**).
8. Reprendre le remontage à partir de l'étape 4.

Période hivernale

En usage extérieur, le clarificateur doit être protégé du gel. Durant la saison hivernale, il doit être éteint, vidé de son eau, retiré du bassin, stocké dans un endroit sec et abrité. Il est recommandé de laisser le clarificateur ouvert pendant le stockage.

SUPPORT EN LIGNE

Consultez nos vidéos-notices sur le canal officiel YOUTUBE SICCE www.youtube.com/SICCEspa.

INSTRUCTIONS POUR LA DÉCHARGE CORRECTE DU PRODUIT SELON L'EU 2002/96/EC DIRECTIF

Une fois utilisé ou défectueux, ce produit ne doit pas être jeté dans une poubelle domestique mais dans un conteneur spécialement prévu pour ce type de produits. Il peut être livré aux centres de rebuts électriques spécifiques ou aux distributeurs qui donnent ce service. Trier un appareil électrique évite des conséquences négatives pour l'environnement et pour la santé, permet de régénérer les matériaux afin de disposer d'une grande économie d'énergie et de ressources naturelles.

GARANTIE

SICCE garantit ce produit contre les défauts de matériaux et de fabrication durant une période de deux (2) ans à compter de la date d'achat d'origine, à l'exception de la lampe. Cette garantie est limitée à la réparation ou au remplacement (au choix de Sicce) du produit défectueux uniquement et ne couvre pas la perte des plantes et poissons du bassin, les blessures corporelles, la perte de propriété ou les dommages résultant de l'utilisation du produit. Nous vous recommandons de conserver la preuve d'achat originale pour valider la garantie. Les réclamations de garantie doivent être soumises au détaillant où vous avez acheté le produit. Ne pas présenter une preuve d'achat jointe à la réclamation invalidera le droit à la garantie. En vous connectant au site www.sicce.com, dans la session appropriée, vous pouvez demander une assistance s'il n'a pas été possible de contacter le revendeur. Dans ce cas également, la preuve d'achat sera une exigence fondamentale pour la bonne exécution de la procédure de retour. Toute garantie dans le présent document fonctionnera en même temps que les périodes de garantie minimales établies par la loi applicable et pas au-delà. Le demandeur doit obtenir une « Autorisation de retour de la marchandise » au moment du dépôt avant d'envoyer tout produit pour la garantie ou le service technique. Les frais d'expédition vers et depuis le centre de service ou la station de réparation sont à la charge de l'acheteur. EXCLUSIONS. Cette garantie ne couvre pas les éléments suivants : *Les dommages résultant d'un accident, d'une mauvaise utilisation, d'un abus, d'un manque de soin raisonnable, d'une utilisation du produit autre que normale ou ordinaire, de l'utilisation du produit dans des conditions de travail anormales ou de toute autre défaillance ne résultant pas de défauts de matériaux ou de fabrication. *Dommages résultant d'une modification, d'une altération ou d'une tentative de réparation par une personne autre que Sicce ou son mandataire. *Transfert du produit à une personne autre que l'acheteur initial. *Soumettre le produit à un fonctionnement électrique non spécifié dans l'emballage ; l'acheteur initial est responsable de fournir des installations électriques adéquates », lampe incluse.

EN

IT

DE

FR

ES

NL

PT

UV-C CLARIFIÉ

NORMAS DE SEGURIDAD:

El clarificador UV-C han sido diseñados de acuerdo con las normas de seguridad nacionales e internacionales. Lea atentamente las siguientes instrucciones antes de utilizarlos para evitar daños a personas/objetos:

- 1. IMPORTANTE:** desconecte siempre el enchufe y cualquier otro aparato en uso en el acuario o estanque, antes de tocar el agua, antes de cualquier instalación o mantenimiento e incluso cuando los aparatos no estén en uso.
- 2. PRECAUCIÓN:** Los rayos ultravioleta pueden ser peligrosos. Nunca mire directamente ni toque la lámpara UV-C cuando esté encendida. Esto puede dañar los ojos y la piel. Para comprobar el funcionamiento de la lámpara, utilice el indicador de luz UV-C (A).
- No utilice nunca el cable de alimentación para levantar o mover el aparato.
- No utilice el aparato en piscinas u otras aplicaciones donde pueda haber personas en el agua.
- No utilice el aparato si el cable de alimentación o el enchufe están dañados. Si el producto está dañado, debe ser sustituido por un centro de postventa especializado.
- No se debe permitir que los niños utilicen este dispositivo.
- El suministro eléctrico debe cumplir con los datos eléctricos escritos en la etiqueta del producto.
- Si necesita un cable alargador, asegúrese de que sea impermeable.
- El producto ha sido diseñado para operar con agua en un rango de temperatura entre +4° C y +35° C.
- En caso de que la temperatura del agua descienda por debajo de 0° C desconectar inmediatamente el filtro de la corriente eléctrica y vaciarlo completamente. Durante el periodo invernal, aconsejamos desinstalar el aparato y mantenerlo en un lugar convenientemente protegido y seco.
- No operar nunca el aparato sin flujo de agua.
- No operar nunca el filtro con un líquido diferente al agua dulce.
- No intentar nunca conectar el filtro a la red hidráulica.

COMPONENTES

- Clarificador UV-C
- Soporte de manguera escalonado
- Soportes de fijación



CARACTERÍSTICAS

- Funcionamiento las 24 horas
- Clarificador UV-C con luz indicadora
- Dispositivo sumergible IP68

INSTALACIÓN

El clarificador puede instalarse tanto sumergido en agua como fuera de ella. Es indiferente el manguito que se utilice para la entrada y la salida de agua. Conecte las mangueras a los portamangueras suministrados. Si es necesario, corte los diámetros más pequeños del soporte de manguera, si no se utilizan, para evitar crear obstrucciones. Atornille los portamangueras al clarificador, prestando atención a la presencia y correcta colocación de las juntas tóricas. Es aconsejable limitar el flujo de agua en el interior del clarificador porque un flujo más lento aumenta la exposición a los rayos UV-C y, en consecuencia, su eficacia. Colóquelo de forma que la luz indicadora azul sea visible para el usuario. El clarificador contiene una lámpara de vidrio y un tubo de cuarzo: manipúlelos con cuidado durante la instalación para evitar dañar estos componentes internos.

Conecte el cable de alimentación sólo después de completar la instalación del clarificador. La luz azul brillante indicará que la lámpara UV-C está funcionando.

Nunca tire del filtro del cable de alimentación: podría dañar el cable y el producto.

REEMPLAZO DE LA LÁMPARA UV-C

Para un rendimiento óptimo del filtro, se recomienda cambiar la lámpara UV-C después de aprox. 8000 horas de funcionamiento. Desenchufe el filtro de la toma de corriente.

1. Gire la tuerca anular exterior (B) en sentido contrario a las agujas del reloj hasta que se detenga. La cabeza (C) del filtro se eleva unos pocos milímetros y, por lo tanto, se puede quitar fácilmente del filtro. Un sistema de seguridad apaga la lámpara, si no se ha cortado el suministro eléctrico, para evitar la exposición a los rayos UV-C durante el mantenimiento.
2. Suelte la bombilla (D) de su alojamiento tirando suavemente de ella.
3. Vuelva a colocar la bombilla nueva de la misma manera.
4. Vuelva a introducir el cabezal (C) en el filtro: solo hay una posición para el cabezal que le permite entrar en el filtro (E).
5. Gire la tuerca anular (B) en el sentido de las agujas del reloj para completar la operación.

LIMPIEZA DEL TUBO DE ENSAYO

6. Para limpiar la probeta de cuarzo, después del punto 1, extraiga el grupo de probetas (F) a través de las dos aberturas especiales (G) o con un destornillador. Limpiar el exterior del tubo con un cepillo, jabón neutro o con PUMP CLEAN de Sicce.
7. Inserte el grupo de tubos de ensayo (F) nuevamente en el filtro: solo hay una posición del grupo de tubos de ensayo que le permite ingresar al clarificador (E).
8. Reanudar el montaje desde el punto 4.

Precauciones durante el periodo invernal: El clarificador debe ser protegido de un posible congelamiento (formación de hielo en cualquiera de sus partes internas o externas), por Este motivo, aconsejamos durante el periodo invernal mantener el aparato apagado, extraer toda el agua presente dentro el mismo, removerlo y colocarlo en un lugar bien protegido y seco. Preferentemente mantenerlo abierto mientras no es usado.

AYUDA ON-LINE

Vea nuestros videos tutoriales en el canal oficial de YOU TUBE de SICCE: www.youtube.com/SICCEspa.

INSTRUCCIONES PARA DESHACERSE DEL PRODUCTO DE ACUERDO CON LA DIRECTIVA EUROPEA 2002/96/EC

Si en un producto aparece el símbolo de un contenedor de basura tachado, significa que éste se acoge a la Directiva 2002/96/EC. Todos los aparatos eléctricos o electrónicos se deben desechar de forma distinta al servicio municipal de recogida de basuras, a través de los puntos de recogida designados por el gobierno o las autoridades locales. La correcta recogida y tratamiento de los dispositivos inservibles contribuye a evitar riesgos potenciales para el medio ambiente y la salud pública. Para obtener más información sobre cómo deshacerse de sus aparatos eléctricos y electrónicos viejos, póngase en contacto con su ayuntamiento, el servicio de recogida de basuras o el establecimiento donde adquirió el producto.

GARANTÍA LIMITADA: SICCE garantiza este producto (ver Exclusiones más abajo) al comprador original contra defectos de materiales y mano de obra durante un período de dos (2) años a partir de la fecha de compra original, excepto la lámpara. Esta garantía se limita a la reparación o sustitución (a elección de Sicce) del producto defectuoso y no cubre la pérdida de vida del acuario, las lesiones personales, la pérdida de propiedad o los daños derivados del uso del producto. Se recomienda conservar el comprobante de compra original para validar la garantía. Las reclamaciones de garantía deben presentarse en el establecimiento donde se compró el producto. Si no se presenta el comprobante de compra adjunto a la reclamación, se invalidará el derecho a la garantía. Conectándose a la página web www.sicce.com, en la sesión correspondiente, podrá solicitar asistencia si no ha sido posible contactar con el distribuidor. También en este caso la prueba de compra será un requisito fundamental para la correcta ejecución del procedimiento de devolución. El plazo de la presente garantía será simultáneo, y no adicional, a los plazos mínimos de garantía establecidos por la legislación vigente. El reclamante deberá obtener una "Autorización de Devolución de Mercancía" en el momento de la presentación antes de enviar cualquier producto para su garantía o servicio técnico. El comprador corre con los gastos de envío de ida y vuelta al centro de servicio o estación de reparación. **EXCLUSIONES.** Esta garantía no cubre lo siguiente: *Daños resultantes de accidentes, mal uso, abuso, falta de cuidado razonable, uso del producto que no sea el normal u ordinario, uso del proyecto en condiciones de trabajo anormales o cualquier otro fallo que no sea resultado de defectos en los materiales o en la mano de obra. *Daños resultantes de la modificación, manipulación o intento de reparación por parte de cualquier persona que no sea Sicce o su representante. * La transferencia del producto a alguien que no sea el comprador original. * La exposición del producto a un servicio eléctrico no especificado en el embalaje; el comprador original es responsable de proporcionar las instalaciones eléctricas adecuadas.

EN

IT

DE

FR

ES

NL

PT

UV-C CLARIFIER

Het water in het voorzuiveringsapparaat stroomt door de UVC-kamer waar de UV-C-lamp is geplaatst.

VEILIGHEIDSINSTRUCTIES

De UV-C Apparaten zijn ontworpen volgens de nationale en internationale veiligheidsregels. Lees vóór gebruik de volgende instructies aandachtig door, om schade aan personen/zaken te voorkomen.

- BELANGRIJK:** koppel altijd de voedingsstekker van dit product los en van alle andere in de vijver aanwezige apparaten alvorens de handen in het water te steken en alvorens enige installatie- of onderhoudswerkzaamheden te verrichten, ook wanneer de apparaten niet in gebruik zijn.
- LET OP:** de ultraviolette stralen zijn gevaarlijk. Nooit in de UV-C lamp kijken wanneer deze is aangezet. Dit kan schade veroorzaken aan de ogen of aan de huid. Om de werking van de lamp te checken moet het doorzichtige controlelampje (A) worden gebruikt .
- Het apparaat nooit aan de voedingskabel optillen of verplaatsen.
- Het apparaat niet gebruiken in zwembaden of in een andere context waar personen zich in het water bevinden.
- Het apparaat niet gebruiken wanneer de kabel of de stekker beschadigd is. Als het product schade vertoont moet het door een gespecialiseerd servicecentrum worden vervangen.
- Het filter is niet geschikt voor minder bekwame personen of kinderen, houdt het daarom buiten hun bereik.
- De elektrische aansluiting van het apparaat moet in overeenstemming zijn met de elektrische gegevens op het etiket van het product zelf.
- Indien nodig een verlengsnoer gebruiken en controleren of deze waterdicht is.
- Dit product is ontworpen voor de behandeling van water met een temperatuur tussen +4°C en +35°C.
- Wanneer de temperatuur beneden 0° C komt dan de stroom uitschakelen en het filter volledig legen. In de winter is het beter om het filter te verwijderen en op een beschutte plaats op te bergen.
- Het toestel mag nooit worden gebruikt zonder water.
- Het filter mag niet worden gebruikt met andere vloeistoffen dan zoet water.
- Het filter mag nooit worden aangesloten op het hydraulische systeem.

COMPONENTEN

- UV-C lamp
- Slangtules
- Montagebeugels



FUNCTIES

- 24 uur per dag in werking
- UV-C lamp met indicatielampje
- IP68 onderwaterapparaat

INSTALLATIE

Het UV-C Apparaat kan zowel ondergedompeld in het water als buiten het water worden geïnstalleerd. Het maakt niet uit welke slangtules u voor de waterinlaat en -uitlaat gebruikt. Sluit de slangen aan op de meegeleverde slangtules. Snijd indien nodig de kleinere diameters van de slangtules af als deze niet worden gebruikt, om verstoppingen te voorkomen. Schroef de slangtules aan de UV-C, let daarbij op de aanwezigheid en correcte plaatsing van de O-ringen. Het is raadzaam om de waterstroom in het UV-C Apparaat te beperken, omdat een langzamere stroom de blootstelling aan UV-C-stralen verhoogt en daarmee de effectiviteit ervan. Plaats hem zo dat het blauwe indicatielampje zichtbaar is voor de gebruiker. Het UV-C apparaat bevat een glazen lamp en een kwartsglazen buis: wees voorzichtig tijdens de installatie om beschadiging van deze interne componenten te voorkomen.

Sluit de voedingskabel pas aan nadat de installatie van het UV-C apparaat is voltooid. Het heldere blauwe licht geeft aan dat de UV-C-lamp werkt.

Til het UV-C apparaat nooit op aan het netsnoer, aangezien dit het snoer, het UV-C apparaat of de pomp zal beschadigen.

UV-C LAMP VERVANGEN

Om de UV-C licht opbrengst te optimaliseren, wordt aanbevolen om de UV-C lamp na ca. 8000 bedrijfsuren of eenmaal per jaar te vervangen.

Haal de voedingskabel uit het stopcontact.

1. Draai de buitenste ringmoer **(B)** tegen de klok in tot deze stopt. De kop **(C)** van de transformator komt enkele millimeters omhoog en is zo eenvoudig uit de behuizing te halen. Een veiligheidssysteem schakelt de lamp uit als de stroom niet is uitgeschakeld, om blootstelling aan UV-C-stralen tijdens het onderhoud te voorkomen.
2. Haal de lamp **(D)** uit de fitting door er voorzichtig aan te trekken.
3. Plaats de nieuwe lamp op dezelfde manier terug.
4. Steek de kop **(C)** terug in het UV-C apparaat. Er is slechts één positie waar de kop het UV-C apparaat **(E)** in kan gaan.
5. Draai de ringmoer **(B)** rechtsom om de handeling te voltooien.

REINIGING VAN DE KWARTSBUIS

6. Om de kwartsbuis schoon te maken, trekt u na stap 1 de buisconstructie **(F)** eruit door de twee daarvoor bestemde openingen **(G)** of met behulp van een schroevendraaier. Reinig de buitenkant van de kwartsbuis met een kleine borstel, milde zeep of Sicce's PUMP CLEAN.
7. Plaats de module **(F)** terug in de behuizing - er is maar één positie voor de module om de behuizing **(E)** in te gaan, dus lijn de inkeping uit.
8. Ga verder met het in elkaar zetten vanaf stap 4.

Winterperiode

Het filter moet tegen het ijs worden beschermd. Tijdens het winterseizoen moet het toestel worden uitgezet. Haal al het water uit de filter, verplaats de filter en berg deze op een beschutte en droge plaats op. Het wordt aangeraden om het filter tijdens het opslaan open te laten.

ONLINE HULP

Bekijk onze instructievideo's op het SICCE YOU TUBE kanaal www.youtube.com/SICCEspa.

AANWIJZINGEN VOOR EEN JUISTE AFVOER VAN HET PRODUCT VOLGENS DE EUROPESE RICHTLIJN 2002/96/EG

Aan het einde van zijn bruikbaarheidsduur, mag het product niet samen met het gemeentelijk afval worden afgevoerd. Het kan worden afgegeven bij de speciale gemeentelijke centra voor gescheiden afvalinzameling of bij verkopers die deze service aanbieden. Door huishoudelijke apparaten gescheiden te verwerken, kunnen mogelijk negatieve gevolgen voor het milieu en de gezondheid door een onjuiste verwerking worden vermeden en kunnen de materialen waaruit het bestaat worden teruggewonnen voor een aanzienlijke besparing van energie en bronnen.

GARANTIE

SICCE garandeert dit product tegen defecten in materiaal en vakmanschap gedurende een periode van twee (2) jaar vanaf de oorspronkelijke aankoopdatum, met uitzondering van de lamp. Deze garantie is beperkt tot reparatie of vervanging (naar keuze van Sicce) van het defecte product en dekt geen verlies van siervijverleven, persoonlijk letsel, verlies van eigendommen of schade als gevolg van het gebruik van het product. We raden u aan het originele aankoopbewijs te bewaren om de garantie te valideren. Garantieclaims moeten worden ingediend bij de detailhandelaar waar u het product hebt gekocht. Het niet overleggen van een aankoopbewijs bij de claim, maakt het recht op de garantie ongeldig. U kunt via de website www.sicce.com, in de juiste sessie, om hulp vragen als het niet mogelijk is geweest om contact op te nemen met de dealer. Ook in dit geval is het aankoopbewijs een fundamentele vereiste voor de correcte uitvoering van de retourprocedure. Elke garantie hierin zal gelijktijdig lopen met, en niet in aanvulling op, eventuele minimale garantieperiodes die zijn vastgesteld door de toepasselijke wetgeving. De eiser moet een "Return Merchandise Authorization" verkrijgen op het moment van indiening voordat hij een product verzendt voor garantie of technische service. De verzendkosten van en naar het servicecentrum of reparatiestation zijn voor de koper. **UITSLUITINGEN.** Deze garantie dekt niet het volgende: *Schade als gevolg van een ongeval, verkeerd gebruik, misbruik, gebrek aan redelijke zorg, gebruik van het product dat anders is dan normaal of gewoon, gebruik van het project in abnormale werkomstandigheden of andere storingen die niet het gevolg zijn van materiaal- of fabricagefouten. *Schade als gevolg van modificatie, manipulatie of poging tot reparatie door iemand anders dan Sicce of diens aangewezen persoon. * Overdracht van het product aan iemand anders dan de oorspronkelijke koper. * Het product onderwerpen aan een elektrische dienst die niet in de verpakking is gespecificeerd; de oorspronkelijke koper is verantwoordelijk voor het leveren van adequate elektrische faciliteiten.

EN

IT

DE

FR

ES

NL

PT

UV-C CLARIFIER

14

ISTRUZIONI DI SICUREZZA

El clarificadores UV-C son en conformidad con leis nacionales e internacionales de seguridad. A fim de evitar danos a pessoas ou coisas, recomendamos respeitar as instruções a seguir.

1. IMPORTANT: Sempre desconecte o plugue da tomada e quaisquer outros aparelhos no lago antes de tocar na água, antes de qualquer instalação ou manutenção e mesmo quando os aparelhos não estão em uso.

2. CUIDADO: os raios ultravioletas são perigosas. Nunca olhar diretamente nem toque na lâmpada UV-C quando ela está acesa. Isso pode prejudicar os olhos e a pele. Para verificar o funcionamento da lâmpada, usar o indicador luminoso UV-C (A).

3. Nunca use o cabo de força para levantar ou mover o aparelho.

4. Não utilize o aparelho para piscinas ou em outras aplicações onde pessoas possam estar em contato com a água em que o aparelho está conectado.

5. Não utilize o aparelho se o cabo de alimentação ou plugue estiver danificado. Se o produto estiver danificado deverá ser substituído por um centro especializado.

6. Mantenha crianças e pessoas com deficiência longe deste aparelho.

7. A alimentação elétrica deve estar de acordo com os dados escritos no rótulo do produto.

8. Se um cabo de extensão é necessário, certifique-se que seja impermeável.

9. El producto ha sido diseñado para operar con agua en un rango de temperatura entre +4° C y +35° C.

10. Se a temperatura ficar abaixo de 0° C, desligue e esvazie completamente o filtro. Durante o inverno é melhor remover o filtro e armazená-lo em um local abrigado.

11. Nunca utilize o aparelho sem água.

12. Nunca utilize o aparelho com qualquer líquido que não seja água doce.

13. Nunca ligue o filtro em um sistema hidráulico.

COMPONENTES

1. Clarificador UV-C
2. Suporte para mangueira escalonada
3. Suportes de fixação



CARACTERÍSTICAS

- Funcionamento 24h
- Clarificador UV-C com indicador luminoso
- Dispositivo submersível IP68

INSTALAÇÃO

O clarificador pode ser instalado tanto submerso em água quanto fora dela. Não importa qual manga é utilizada para entrada e saída de água. Conecte as mangueiras aos suportes de mangueira fornecidos. Se necessário, corte diâmetros menores do porta-mangueira, caso não seja utilizado, para evitar a criação de bloqueios. Aparafuse os porta-mangueiras ao clarificador, prestando atenção à presença e correta colocação dos O-rings. É aconselhável limitar o fluxo de água no interior do clarificador porque um fluxo mais lento aumenta a exposição aos raios UV-C e, conseqüentemente, a sua eficácia. Posicione-o de forma que a luz indicadora azul fique visível para o usuário. O clarificador contém uma lâmpada de vidro e um tubo de quartzo: manuseie-os com cuidado durante a instalação para evitar danificar estes componentes internos.

Conecte o cabo de alimentação somente após concluir a instalação do clarificador. A luz azul brilhante indicará que a lâmpada UV-C está funcionando.

Nunca puxar o filtro pelo cabo de alimentação: podia causar danos ao cabo e ao produto.

SUBSTITUIÇÃO DA LÂMPADA UV-C

Para ter uma potência de filtragem ideal, recomenda-se trocar a lâmpada UV-C após de cerca de 8.000 horas de funcionamento.

Desconectar o filtro da tomada de corrente.

1. Rodar o aro externo (**B**) no sentido contrário aos ponteiros do relógio até a paragem. A cabeça (**C**) do filtro eleva-se em alguns milímetros e, deste modo, é facilmente extraível do filtro. Um sistema de segurança apaga a lâmpada, caso não tenha sido retirada a alimentação, para evitar a exposição aos raios UV-C durante a manutenção.
2. Desengatar a lâmpada (**D**) da sua sede e puxá-la com delicadeza.
3. Remontar a lâmpada nova no mesmo modo.
4. Inserir novamente a cabeça (**C**) no filtro: há uma única posição da cabeça que permite entrar no filtro (**E**).
5. Rodar o aro (**B**) no sentido dos ponteiros do relógio para completar a operação.

LIMPEZA DA PROVETA

6. Para a limpeza da proveta em quartzo, após o ponto 1, extrair o grupo da proveta (**F**) por meio das duas relativas aberturas (**G**) ou com a utilização de uma chave de fenda. Limpar o exterior da proveta com uma escovinha, sabão neutro ou com PUMP CLEAN da Sicce.
7. Inserir novamente o grupo da proveta (**F**) no filtro: há uma única posição do grupo da proveta que permite que entre no clarificador (**E**).
8. Retomar a remontagem a partir do ponto 4.

Precauções durante o período de inverno

O clarificador deve ser protegido de possível congelamento (formação de gelo em qualquer uma de suas partes internas ou externas), por este motivo, recomendamos durante o período de inverno manter o aparelho desligado, extrair toda a água presente em seu interior, retirá-lo e colocar coloque-o em local bem protegido e seco. De preferência, mantenha-o aberto quando não estiver em uso.

ASSISTÊNCIA

Sugerimos que veja nossos tutoriais em vídeo para apoiar a instalação e manutenção de produtos, disponível no canal oficial www.youtube.com/SICCEspa.

PRECAUÇÕES PARA DESCARTE CORRETO DO PRODUTO NOS TERMOS DA DIRECTIVA CE 2002/96 / CE

Se usada ou quebrada, esta bomba não pode ser descartada como lixo comum. Verifique a legislação vigente e procure centros apropriados para descartar a bomba, ou devolva-a ao revendedor. Descarte separadamente qualquer componentes elétrico para não causar danos ao ambiente. Procure centros de reciclagem desse tipo de material.

GARANTIA

A SICCE garante este produto contra defeitos de material e de fabricação por um período de dois (2) anos a partir da data da compra original, com exceção da lâmpada. Esta garantia está limitada à reparação ou substituição (a critério da Sicce) apenas de produtos defeituosos e não cobre a perda de vida útil do lago, ferimentos pessoais, perdas materiais ou danos decorrentes do uso do produto. Recomendamos que mantenha o comprovante de compra original para validar a garantia. As reivindicações de garantia devem ser enviadas ao revendedor onde comprou o produto. A falha de apresentação do comprovante de compra anexado à reivindicação invalidará o direito à garantia. Ao conectar-se ao site www.sicce.com, na sessão apropriada, pode solicitar assistência se não for possível entrar em contacto com o revendedor. Também neste caso o comprovante de compra será requisito fundamental para a correta execução do procedimento de devolução. Qualquer garantia neste documento será executada simultaneamente com, e não em adição a, quaisquer períodos mínimos de garantia estabelecidos pela lei aplicável. O reivindicante deve obter uma "Autorização de Devolução de Mercadoria" no momento do depósito antes de enviar qualquer produto para garantia ou serviço técnico. O comprador arca com o custo de envio de e para o centro de manutenção ou oficina de reparação. EXCLUSÕES. Esta garantia não cobre o seguinte: *Danos resultantes de acidente, mau uso, abuso, falta de cuidado razoável, uso do produto que não seja normal ou comum, uso do projeto em condições anormais de trabalho ou quaisquer outras falhas não resultantes de defeitos de materiais ou mão de obra. *Danos resultantes de modificação, adulteração ou tentativa de reparação por qualquer pessoa que não seja da Sicce ou seu representante. * Transferência do produto para alguém que não seja o comprador original. * Submeter o produto a serviço elétrico não especificado na embalagem; o comprador original é responsável por disponibilizar instalações elétricas adequadas.

SICCE S.r.l.

Via V. Emanuele, 115 - 36050 Pozzoleone (VI) - Italy
VAT Nr. IT02883090249 | Tel.: +39 0444 462826
www.sicce.com - info@sicce.com
Customer Service: support@sicce.com

SICCE US Inc.

www.sicce-us.com - infous@sicce.com

SICCE AUSTRALIA Pty Ltd

www.sicce.com.au - info@sicce.com.au

80N757/A

02-2025

© Sicce All rights reserved