



FILTRAPOND

COMPLETE POND FILTER



SEAL AND SIGNATURE OF RESALE DEALER
TIMBRO E FIRMA DEL RIVENDITTORE
STEMPEL UND UNTERSCHRIFT DES VERKAUFERS
CACHET ET SIGNATURE DU REVENDEUR
SELLO Y FIRMA DEL REVENDEDOR
STEMPEL EN HANDTEKENING VAN DE DEALER
CARIMBO E ASSINATURA DO REVENDEDOR



WARRANTY
GARANZIA
GARANTIE
GARANTIA
GARRANTIED
GARANTIA
GARANTI

DATE OF PURCHASE
DATA DI VENDITA
VERKAUFSDATUM
DATE DE VENTE
FECHA DE VENTA
DATUM VAN AANKOOP
DATA DE VENDA

____ / ____ / ____
day month year

FILTRAPOND

COMPLETE POND FILTER

SICCE WEBSITE



YouTube



IMPORTANT SAFETY INSTRUCTIONS

WARNING - To guard against injury, basic safety precautions should be observed, including the following.

READ AND FOLLOW ALL SAFETY INSTRUCTIONS

CAUTION: Always disconnect the pump when not in use, before adding or removing parts and before cleaning.

- Do not allow the filter to run dry. ALL-IN-ONE must be immersed in water completely.
- This appliance is to be used in a circuit protected by a ground fault circuit interrupter.

WARNING: - To reduce the risk of electric shock, install only on a circuit protected by a Ground - Fault Circuit - Interrupter (GFCI).

- This appliance has not been investigated for use in swimming pool or marine areas.
 - To avoid possible electric shock, special care should be taken since water is employed in the use of pond equipment.
- For each of the following situations, do not attempt repairs by yourself. Return the appliance to an authorized service facility for service or discard the appliance.

1) Do not operate any appliance if it has a damaged cord or plug, or if it doesn't work properly or has been dropped or damaged in any manner.

2) To avoid the possibility of the appliance plug or receptacle getting wet, position the filter to one side of a wall-mounted receptacle to prevent water from dripping onto the receptacle or plug.

A "drip-loop" (**Fig. A**) should be arranged by the user for each cord connecting a pond filter appliance to a receptacle. The "drip-loop" is the part of the cord below the level of the receptacle or the connector if an extension cord is used, which prevents water travelling along the cord and coming in contact with the receptacle.

If the plug or socket does get wet, DON'T unplug the cord. Disconnect the fuse or circuit breaker that supplies power to appliance. Then unplug and examine for presence of water in the receptacle.

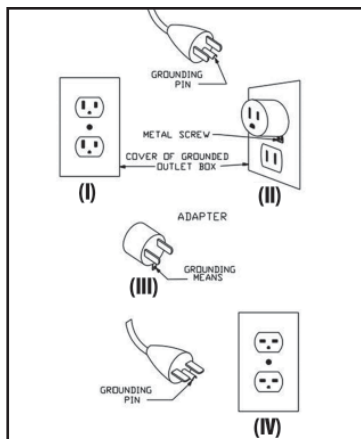
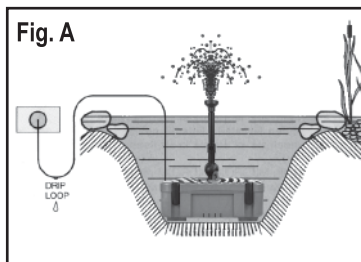
3) Close supervision is necessary when any appliance is used by near children.

4) To avoid injury, do not contact moving parts or hot parts such as heaters, reflectors, lamp bulbs and similar.

5) Always unplug an appliance from an outlet when not in use, before putting on or taking off parts and before cleaning. Never yank cord to pull plug from outlet. Grasp the plug and pull to disconnect.

6) Do not use an appliance for other than intended use. The use of attachments, not recommended or sold by the manufacturer of the appliance, may cause an unsafe condition.

7) Do not install or store the appliances where it will be exposed to the



weather or to temperatures below freezing.

8) Make sure an appliance used in a pond is securely installed before operating it.

9) Read and observe all the important notices of the appliance.

10) If an extension cord is necessary, a cord with a proper rating should be used. A cord rated for less amperes or watts than the appliance rating may overheat. Care should be taken to arrange the cord so that it will not be tripped over or pulled.

11) This appliance has a polarized plug (one blade is wider than other). As a safety feature, this plug will fit in a polarized outlet only one way. If the plug does not fit fully in the outlet, reverse the plug. If it still does not fit, contact a qualified electrician. Never use with an extension cord unless plug can be fully inserted. Do no attempt to defeat this safety feature.

GROUNDING INSTRUCTIONS

This appliance should be grounded to minimize the possibility of electric shock. This appliance is equipped with an electric cord having an equipment grounding conductor and a grounding type plug. The plug must be plugged into an outlet that is installed and grounded in accordance with all appropriate codes and ordinances.

This appliance is for use on a nominal 120-volt circuit, and has a grounding plug that looks like the plug illustrated in **(II)**. A temporary adapter which looks like the adapter illustrated in **(III)** and **(IV)** below may be used to connect this plug to a two-pole receptacle as shown in **(III)** if a grounded outlet is not available. The temporary adapter should be used only until a grounded outlet is not available. The temporary adapter should be used only until a grounded outlet can be installed by a qualified electrician. The green-colored rigid ear (lug, and the like) extending from the adapter must be fastened to a permanent ground such as a grounded outlet box.

SAVE THESE INSTRUCTIONS

CONSIGNES DE SÉCURITÉ IMPORTANTES

MISE EN GARDE: Afin de se protéger contre les blessures, des mesures de sécurité de base doivent être observées, y compris les suivantes.

LIRE ET OBSERVER TOUTES LES CONSIGNES DE SÉCURITÉ

ATTENTION: Toujours débrancher une pompe qui ne sert pas, ou à laquelle on doit ajouter ou retirer des pièces ou qui doit être entretenue.

- Ne pas faire fonctionner le filtre à sec. ALL-IN-ONE peut être complètement immergée dans l'eau.
- Cette appareil doit être branchée à une dérivation protégée par un disjoncteur différentiel.

DANGER - Risque de choc électrique – Cette filtre est munie d'une fiche de raccordement de mise à la terre. Afin de réduire le risque de choc électrique vous assurer qu'elle est branchée seulement à une prise de courant adéquatement mise à la terre.

- Pour réduire le risque de choc électrique, installer seulement sur un circuit protégé par GFCI.

Cette appareil n'a pas été étudiée pour une utilisation dans une piscine ou des zones marines.

- Pour éviter tout choc électrique, une grande prudence est de rigueur. Dans chacune des situations suivantes, ne pas essayer de réparer l'appareil soi-même; l'expédier au fabricant pour réparation ou le jeter.

1) Ne pas faire fonctionner un appareil défectueux, dont le cordon électrique ou la fiche sont endommagés, ou qui a été échappé ou abîmé d'une façon quelconque.

2) Afin d'éviter que l'appareil ou la prise de courant soient mouillés, installer le support placez le filtre d'un côté d'une prise de courant pour empêcher l'eau de dégoutter sur la prise. L'utilisateur devrait faire une boucle d'égouttement (**Fig. A**) doit être installée par l'utilisateur pour chaque cordon reliant un appareil de filtration de bassin à une prise. Une boucle d'égouttement est la partie du cordon se trouvant sous la prise de courant ou le raccord si une rallonge électrique est utilisée, afin d'empêcher l'eau de circuler le long du cordon électrique et d'être en contact avec la prise de courant. Si la fiche ou la prise de courant sont mouillées, NE PAS débrancher le cordon électrique. Débrancher d'abord le fusible ou disjoncteur qui fournit l'électricité à l'appareil et débrancher ensuite l'appareil en vérifiant qu'il n'y a pas d'eau dans la prise.

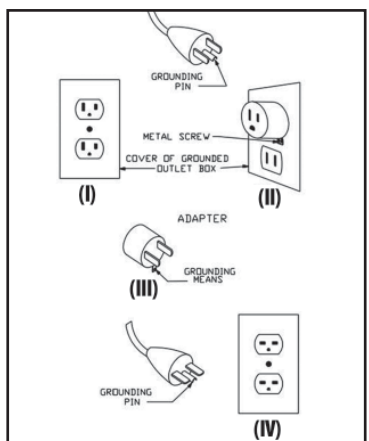
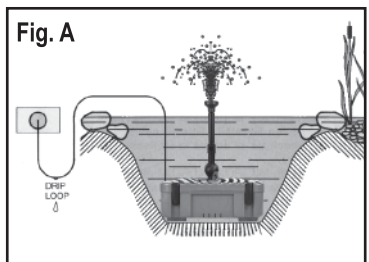
3) Il est essentiel de surveiller étroitement les enfants utilisant cet appareil ou se trouvant à proximité.

4) Pour éviter les accidents, ne pas toucher aux pièces mobiles ou chaudes comme les chauffe-eau, réflecteurs, ampoules, etc.

5) Toujours débrancher l'appareil quand il n'est pas utilisé, quand des pièces sont enlevées ou remplacées et avant l'entretien. Ne jamais tirer sur le fil pour débrancher l'appareil; prendre la fiche et débrancher l'appareil.

6) Ne pas utiliser un appareil pour un emploi autre que celui pour lequel il a été fabriqué. Les pièces non vendues ou non recommandées par le fabricant pourraient compromettre la sécurité de l'appareil.

7) Ne pas exposer cet appareil aux intempéries ou à une température en



dessous de 0° C.

8) Vous assurer qu'un appareil monté sur un aquarium est bien installé avant de le faire fonctionner.

9) Lire et observer tous les avis importants sur l'appareil.

10) Si une rallonge électrique est nécessaire, vous assurer qu'elle est d'un calibre adéquat. Un cordon électrique de calibre inférieur ou de moins d'ampères ou de watts que l'appareil peut surchauffer. Le cordon doit être placé de façon à éviter que quelqu'un trébuche ou le tire.




11) Cet appareil possède une fiche polarisée (une lame est plus large que les autres). Par mesure de sécurité, cette fiche s'insère dans une prise polarisée que dans un sens. Si la fiche n'entre pas complètement dans la prise, inverser la fiche. Si elle ne rentre toujours pas, contactez un électricien qualifié. Ne jamais utiliser une rallonge si la fiche peut être insérée complètement. Ne pas essayer de contourner ce dispositif de sécurité.

MISE À LA TERRE

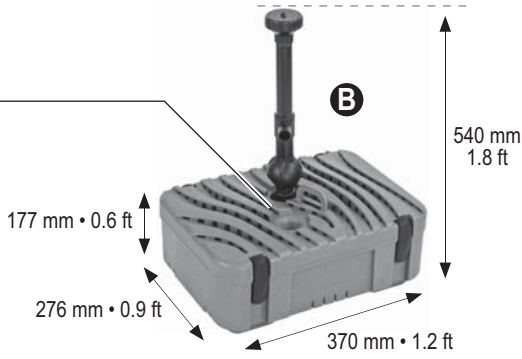
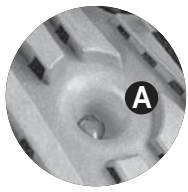
Cet appareil doit être mis à la terre (masse) afin de minimiser les risques de choc électrique. Cet appareil est équipé d'un cordon électrique possédant un conducteur de terre et une prise de terre. La fiche doit être branchée dans une prise installée et mise à la terre en conformité avec tous les codes et les ordonnances appropriées.

Cet appareil est destiné à l'utilisation dans un circuit de 120 volts nominales et a une fiche de mise à la terre qui ressemble à la fiche illustrée en **(III)** ci-dessous. Un adaptateur temporaire qui ressemble à l'adaptateur illustré en **(III)** et **(IV)** ci-dessous peut être utilisé pour connecter cette fiche à une prise à deux broches comme indiqué dans **(III)**, si une prise de terre n'est pas disponible. L'adaptateur temporaire ne doit être utilisé que jusqu'à quand une prise avec mise à la terre n'est pas disponible. L'adaptateur temporaire ne doit être utilisé que jusqu'à quand une prise de terre peut être installé par un électricien qualifié. L'ergot rigide de couleur verte (oreille, patte) se étendant de l'adaptateur doit être fixé à une mise à la terre permanente, comme par exemple une boîte de prise de terre.

CONSERVER CES INSTRUCTIONS

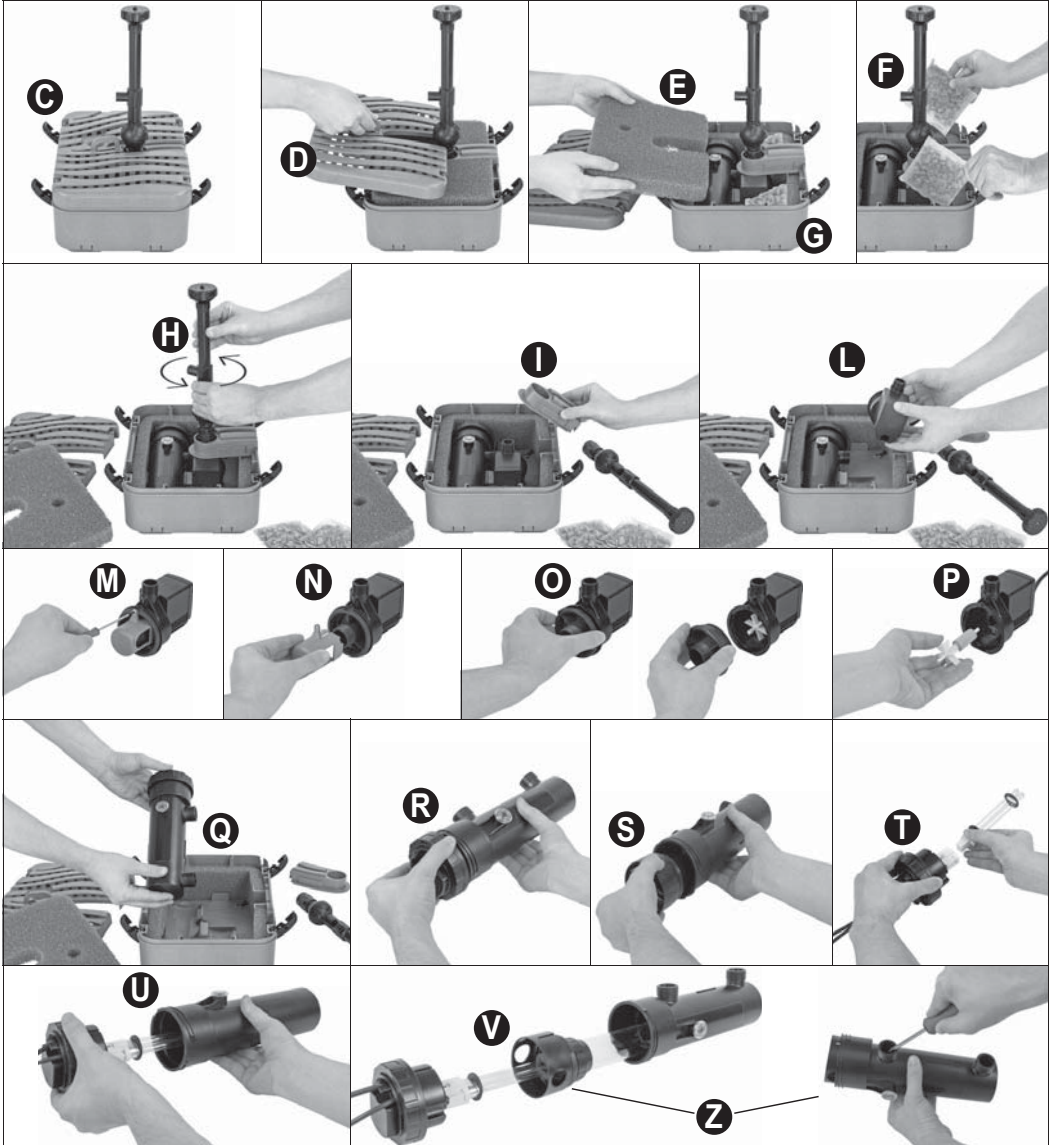
| TECHNICAL DATA | 1500 | | 2500 | | 4000 | |
|---------------------|---|---------------------|---|---------------------|---|---------------------|
| Suggested pond size | Shaded pond without fish: up to 3000 L • 800 US gal | | Shaded pond without fish: up to 6000 L • 1600 US gal | | Shaded pond without fish: up to 10000 L • 2600 US gal | |
| |  | |  | |  | |
| | Not shaded pond with fish: up to 1500 L • 400 US gal | | Not shaded pond with fish: up to 3000 L • 800 US gal | | Not shaded pond with fish: up to 5000 L • 1300 US gal | |
| | 220 - 240 V 50Hz | 110 - 120 V 60Hz | 220 - 240 V 50Hz | 110 - 120 V 60Hz | 220 - 240 V 50Hz | 110 - 120 V 60Hz |
| Q max pump | 1500 l/h | 400 US gph | 2500 l/h | 660 US gph | 3800 l/h | 1000 US gph |
| H max | 2,3 m | 6.0 ft | 2,5 m | 10.0 ft | 3,1 m | 10.5 ft |
| Filtration area | 2000 cm ² • 310 inch ² | | | | | |
| Watt | 35 W | | 60 W | | 70 W | |
| UV-C lamp | 7 W | | 9 W | | 13 W | |
| Cable length | 10,0 m • 20.0 ft [1 CABLE FOR PUMP AND LIGHT] | | | | | |

| SPARE PARTS | Code | Description |
|-------------|-------------|--|
| | SSP0044 | Filtrapond Uv-C Replacement Filter Pad Set |
| | SVA0021 | Filtrapond Uv-C Replacement Zeolite Filter Media |
| | SGR0057 | Syncra 2.5/Filtrapond 7-9W Rotor + Ceramic Shaft+Rubbers (50Hz) |
| | SGR0058 | Syncra 2.0/Filtrapond 7W Rotor + Ceramic Shaft+Rubbers (60Hz) |
| | SGR0059 | Syncra 3.0/Filtrapond 9-13W Rotor + Ceramic Shaft+Rubbers (60Hz) |
| | SGR0048 | Syncra 3.0/Filtrapond 13W Rotor + Ceramic Shaft+Rubbers (50Hz) |
| | 90074/A | Large Waterbell + Large Waterlily |
| | 90437/A | Jet Kit Daisy Super 3 Stages + Iris |
| | 90065/A | Foam Jet Black |
| | SKT0326 | Filtrapond Uv-C Replacement Plumbing Adapters |
| | SKT0329 | Filtrapond Replacement Uv-C Lamp 7W |
| | SKT0327 | Filtrapond Replacement Uv-C Lamp 9W |
| | SKT0328 | Filtrapond Replacement Uv-C Lamp 13W |
| | 95N032/NE | Locking Hooks |
| | 61N269/NE/A | Pump Prechamber For Filtrapond 7W |
| | 61N270/NE/A | Pump Prechamber For Filtrapond 9W |
| | 61N271/NE/A | Pump Prechamber For Filtrapond 13W |
| | 61N640 | Prechamber Pump/Uv-C Connector |
| | STR0056 | ¾" GAS Stepped Hose Fitting (Ø 21 / 26 mm - Ø ¾" / 1.0") + O-ring |



HOSE FITTING FOR WATERFALL APPLICATION

3/4" GAS Stepped
Hose Fitting



The FILTRAPOND filters range is designed for easy and practical use in ponds. The filters have special foam pads that provide efficient mechanical filtration: a side foam with lower density to help catch coarse impurities and a large top foam with higher density to capture finer impurities.

Special porous material stones, in addition to filter pads, promote biological filtration and help achieve and maintain clean water in a short time.

Sterilization by UV-C. This function is provided by the special UV-C clarifier included. The water inside the filter flows through the UVC chamber where the lamp treats the water. The UV-C rays from the lamp aid water clarity.

COMPLETE FILTERS FOR ORNAMENTAL PONDS WITH UV-C STERILIZER.

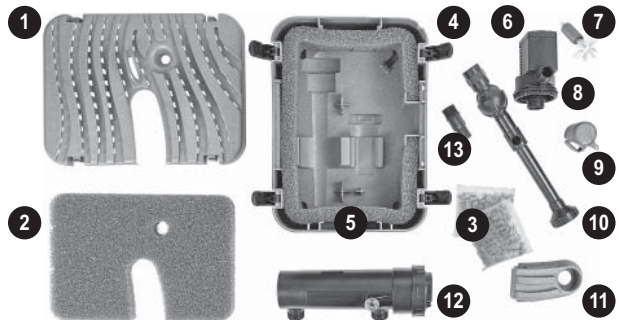
SAFETY INSTRUCTIONS

The FILTRAPOND filters have been designed according to the national and international safety rules. Please read carefully the following instructions before using the FILTRAPOND filters in order to avoid damages to persons/things.

- IMPORTANT:** always disconnect the power plug and any other appliances in the pond before touching the water, before any installation or maintenance and even when the appliances are not in use.
- CAUTION:** The Ultraviolet rays might be dangerous. Never look directly and touch the UV-C Lamp when it is on. This can harm eyes and skin. To check the functioning of the lamp, use the UV-C light indicator (A).
- This product is a filter with built-in UV-C sterilizer for use in ornamental ponds. Do not use the appliance for any other application.
- Never use the power cable to lift or move the appliance.
- Do not use the appliance for swimming pools or other application where there might be people into water.
- Do not use the appliance if the power cable or plug are damaged. If the product is damaged it must be replaced by a specialized after sales centre.
- Keep children and disabled persons away from this appliance.
- The electrical supply must comply with electrical data written in the label of the product.
- If an extension lead is required, make sure it is waterproof.
- This product has been designed to work with water at a temperature between +4° C / +39,2° F and +35° C / 95° F.
- If the temperature drops below 0° C / 32° F, unplug the power and completely empty the filter. During winter it is better to remove the filter and store it in a sheltered place.
- Never operate the appliance without water.
- Never operate the appliance with liquids different from fresh water.
- Never connect the filter to the hydraulic system.

COMPONENTS

- Recycled plastic shell
- Filter foam pad 20ppi
- Porous stones
- Closing hooks
- Side foam
- Pump
- Rotor with co-molded shaft
- Pump volute
- Pump intake adapter
- Nozzles kit
- Pump cover
- UV-C Clarifier
- Stepped hose fitting



FEATURES

- 24-hour operation energy efficient pump

- Built-in UV-C clarifier with indicator light
- Single power cord for pump and UVC clarifier
- Large surface area filter pads for reduced maintenance
- Sturdy recycled plastic case
- Fountain nozzle options with telescopic riser and diverter
- Top suction grid with anti-lclog design
- Top handle for carrying the filter or attaching a lanyard for easy retrieval of the filter

INSTALLATION

Place the filter at the bottom of the pond. Use any shim/riser underneath the filter if the telescopic tube, even at maximum extension, does not come out of the water. (See Filter dimension **B**)

Connect the choosen water play at the end of the tube.

Level the filter so the telescopic tube and fountain nozzle are straight, so the water flows vertically.

Connect the power cable only after completing the filter installation. The cable powers both the pump and the UV-C lamp. Water flowing from the nozzle will indicate that the pump is working and the bright blue light will indicate that the UV-C lamp is working.

Never lift the filter with the power cord since this will damage the cord, the UV-C filter, or the pump.

Lift the filter only by the handle in the lid. If necessary, hook a retrieval cord to the handle to facilitateremoving the filter from the pond.

FILTER MAINTENANCE (Cleaning and replacement of filter pads).

Loosen the four hooks (**C**) and remove the lid (**D**). It is not necessary to disconnect the telescopic tube and nozzle for cleaning the filter.

Pull out the top (**E**) and side (**F**) foam from the filter cage (**G**) to facilitate cleaning operations

For Filter's maintenance, first unscrew the telescopic tube (**H**) and remove the lid (**I**) from above the pump. Remove the pump (**L**). Once the pump is removed, unscrew the screw (**M**) on the front. Slide off the pump intake adapter (**N**) and rotate the volute (**O**) counterclockwise to move it away from the pump body. Firmly pull the impeller (**P**) out of its housing (it has considerable magnetic attraction), taking care to perform the movement gently so as not to damage the internal components. Proceed with cleaning the rotor using a small brush, mild soaps, or Sicce's PUMP CLEAN.

Repeat the above steps in reverse order, taking care to reinsert theimpeller into its housing. Attach the volute to the body by turning it clockwise. Threadon the pump intake adapter. Both should be oriented correctly so that the safety screw can be screwed back in.

To clean the UV-C filter, or replace the lamp, first take it out of the base (**Q**), then refer to the UV-C lamp replacement instructions.

UV-C LAMP REPLACEMENT

To Optimize the UV-C clarifications, it is recommended to change the UV-C lamp after approx. 8000 hours of operation or once per year.

Disconnet the power cord from the electrical outlet.

1. Turn the outer ring nut (**R**) counterclockwise until it stops. The head (**S**) of the transformer rises a few millimeters and is thus easily removed from the housing. A safety system turns off the lamp, in case the power has not been turned off, to prevent exposure to UV-C rays during maintenance.
2. Release the lamp (**T**) from its socket by pulling it gently.
3. Reinstall the new lamp in the same manner.
4. Insert the head (**S**) back into the filter-there is only one position for the head (**S**) to enter the filter (**U**).
5. Turn the ring nut (**R**) clockwise to complete the operation.

CLEANING THE QUARTZ SLEEVE

6. To clean the quartz tube, after step 1 , pull out the tube assembly (**V**) through the two appropriate openings (**Z**) or by using a screwdriver. Clean the outside of the quartz sleeve with a small brush, mild soap, or Sicce's PUMP CLEAN.
7. Insert the assembly (**T**) back into the housing - there is only one position for the assembly to enter the housing (**U**) so line up the notch.
8. Resume reassembly from step 4.

Watch our tutorial videos on THE SICCE YOU TUBE official channel www.youtube.com/SICCEspa.

IT

INSTRUCTIONS FOR THE CORRECT DISCHARGE OF THE PRODUCT ACCORDING TO EU DIRECTIVE 2002/96/EC

DE

When used or broken, the product does not have to be discharged with the other waste. It can be delivered to the specific electric waste collection centers or to dealers who give this service. Discharge separately an electric tool avoid negative consequences for the environment and for the Health and allows to regenerate the materials so to have a great saving of energy and resources.

FR

WARRANTY

ES

SICCE guarantees this product (see Exclusions below) to the original purchaser against defects of materials and workmanship for a period of five (5) years from the date of original purchase, except for the pump's impeller, which is guaranteed for a period of six (6) months. This warranty is limited to repair or replacement (at Sicce's option) of defective product only and does not cover loss of fishes and plants of the pond, personal injury, property loss, or damage arising from the use of the product. We recommend to keep the original proof of purchase to validate the warranty. Warranty claims must be submitted to the retailer where you purchased the product. Failure to present proof of purchase attached to the claim will invalidate the right to the guarantee. By connecting to the website www.sicce.com, in the appropriate session, you can request assistance if it has not been possible to contact the dealer. Also in this case the proof of purchase will be a fundamental requirement for the correct execution of the return procedure. Any warranty herein shall run concurrently with, and not in addition to, any minimum warranty periods established by applicable law. The claimant must obtain a "Return Merchandise Authorization" at the time of filing before sending any product for warranty or technical service. The purchaser bears the cost of shipping to and from the service center or repair station. **EXCLUSIONS.** This warranty does not cover the following: *Damage resulting from accident, misuse, abuse, lack of reasonable care, use of the product that is other than normal or ordinary, using the project in abnormal working conditions or any other failures not resulting from defects in materials or workmanship. *Damage resulting from modification, tampering with or attempted repair by anyone other than Sicce or its designee. * Transfer of the product to someone other than the original purchaser. * Subjecting the product to electrical service not specified in the packaging; the original purchaser is responsible for providing adequate electrical facilities."

NL

PT

FILTRAPOND

FIND OUT HOW TO GET YOUR PRODUCT GUARANTEED FOR 5 YEARS To improve our service and our customers' satisfaction, Sicce offers the possibility of adding a 2 year extension (5 years total) to the warranty by simply registering your product on our website www.sicce.com in "Support/ Product Registration" Fill-in the form and upload the product's purchase receipt. After having correctly inserted all your data, complete the warranty extension request.

La gamma di filtri FILTRAPOND è stata progettata per un facile e pratico utilizzo nei laghetti. I filtri sono dotati di speciali spugne che garantiscono una efficiente filtrazione meccanica: una spugna laterale con densità minore per favorire il blocco di impurità grossolane e un'ampia spugna superiore con densità maggiore per catturare impurità più fini.

Le speciali pietre di materiale poroso, in aggiunta alle spugne, favoriscono la filtrazione biologica e contribuiscono al raggiungimento e mantenimento della pulizia dell'acqua in breve tempo.

Sterilizzazione mediante raggi UV-C. Questa funzione è garantita dalla speciale lampada UV-C inclusa nell'apparecchio. L'acqua all'interno del filtro segue un percorso forzato che la incanala all'interno dell'involucro dove è posizionata la lampada. Questa, grazie ai suoi raggi UV-C, neutralizza le alghe e rende limpida l'acqua.

FILTRO PER LAGHETTI ORNAMENTALI CON STERILIZZATORE UV-C INTEGRATO

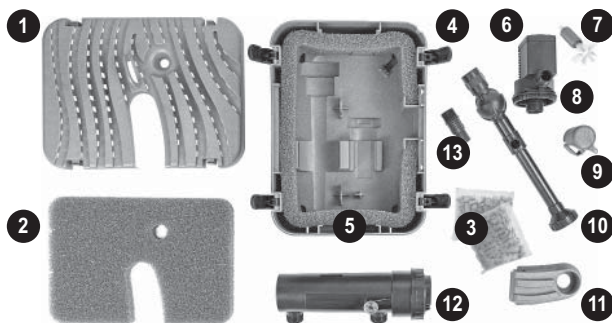
AVVERTENZE SULLA SICUREZZA

I Filtri FILTRAPOND sono stati progettati nel rispetto delle norme nazionali ed internazionali di sicurezza. Al fine di evitare qualsiasi danno a cose e/o persone è opportuno leggere attentamente le seguenti istruzioni.

- IMPORTANTE:** scollegare sempre la spina dell'alimentazione di questo prodotto e di tutti gli altri apparecchi presenti nel laghetto prima di mettere le mani in acqua e di eseguire qualsiasi intervento di installazione o manutenzione.
- ATTENZIONE:** i raggi ultravioletti possono essere pericolosi. Non guardare mai direttamente la lampada UV-C quando è accesa perchè può provocare danni agli occhi o alla pelle. Il controllo del funzionamento della lampada va effettuato attraverso l'apposita spia trasparente (A).
- Questo prodotto è un filtro con sterilizzatore UV-C integrato da impiegare solo su laghetti ornamentali. Non usare in applicazioni diverse da quelle previste.
- Non sollevare o spostare mai l'apparecchio tramite il cavo di alimentazione
- Non impiegare l'apparecchio in piscine o altri contesti dove siano immerse persone in acqua.
- Non usare l'apparecchio se presenta danneggiamenti al cavo o alla spina. Se il prodotto risulta danneggiato, deve essere sostituito o riparato da un centro assistenza specializzato.
- Il filtro non è stato progettato per l'uso da parte di persone diversamente abili o bambini, tenere fuori dalla loro portata.
- La connessione elettrica dell'apparecchio deve rispettare i dati riportati sull'etichetta dati elettrici del prodotto stesso.
- Se fosse necessario utilizzare una prolunga, assicurarsi che sia a tenuta stagna.
- Questo prodotto è stato progettato per trattare acqua a temperatura compresa tra +4° C e +35° C.
- Se la temperatura scende sotto 0° C staccare l'alimentazione e svuotare completamente il filtro. Nel periodo invernale è opportuno rimuovere e sistemare il filtro in un luogo riparato.
- Non utilizzare mai l'apparecchio a secco.
- Non utilizzare questo filtro con liquidi diversi dall'acqua dolce.
- Non connettere mai il filtro alla rete idraulica.

COMPONENTI

- Guscio in plastica riciclata
- Spugne di superficie 20ppi
- Pietre porose
- Ganci di chiusura
- Spugna laterale
- Pompa
- Rotore con alberino costampato
- Precamera pompa-Ricambio
- Convogliatore
- Kit giochi d'acqua
- Coperchio pompa
- Sterilizzatore UV-C
- Raccordo a gradini



CARATTERISTICHE

- Funzionamento h24 con pompa a basso consumo energetico;
- Sterilizzatore UV-C incorporato con indicatore luminoso;
- Unico cavo di alimentazione per pompa e sterilizzatore UV-C;
- Ampia superficie filtrante;
- Guscio in plastica riciclata resistente e robusta;
- Tubo telescopico con snodo orientabile;
- Griglia di aspirazione superiore con funzione anti intasamento;
- Pratica maniglia per il trasporto del filtro o per l'aggancio di un cordino atto a facilitare il recupero del filtro stesso.

INSTALLAZIONE DEL FILTRO

Posizionare il filtro sul fondo del laghetto. Utilizzare un eventuale rialzo se il tubo telescopico, anche alla massima estensione, non dovesse uscire dall'acqua (vedi misure FILTRAPOND **B**).

Aggiungere il gioco d'acqua prescelto all'estremità del tubo telescopico e orientarlo qualora il filtro non dovesse essere in piano.

Collegare il cavo di alimentazione solo dopo aver completato l'installazione del filtro. Il cavo alimenta sia la pompa che lo sterilizzatore UV-C. Il gioco d'acqua in funzione indicherà che la pompa sta funzionando, la spia blu luminosa indicherà il funzionamento dello sterilizzatore UV-C.

Non tirare mai il filtro dal cavo di alimentazione: potreste recare danni al cavo, e al prodotto.

Sollevarlo il filtro solo tramite la maniglia presente nel coperchio. Eventualmente agganciare una corda di recupero alla maniglia per facilitare l'operazione.

MANUTENZIONE DEL FILTRO (Pulizia e sostituzione spugne)

Allentare i quattro agganci (**C**) e rimuovere lateralmente il coperchio (**D**). Non è necessario scollegare il tubo telescopico e i giochi d'acqua per la pulizia delle spugne.

Estrarre la spugna superiore (**E**) e laterale (**F**) dalla base del filtro (**G**) per agevolare le operazioni di lavaggio. Per la manutenzione della pompa, svitare prima il tubo telescopico (**H**) e rimuovere il coperchio (**I**) da sopra la pompa.

Una volta rimossa la pompa (**L**), svitare la vite (**M**) sulla parte frontale. Sfilare il convogliatore frontale (**N**) e ruotare la precamera (**O**) in senso antiorario per allontanarla dal corpo pompa. Estrarre in modo deciso il rotore (**P**) dalla sua sede, (ha una notevole attrazione magnetica) prestando attenzione ad eseguire il movimento con delicatezza, per non danneggiare i componenti interni. Procedere con la pulizia del rotore utilizzando una spazzolina, saponi neutri, oppure il prodotto PUMP CLEAN di Sicce.

Ripetere le operazioni sopra descritte in ordine inverso, facendo nuovamente attenzione al reinserimento del rotore nella sua sede. Fissare la precamera al corpo ruotandola in senso orario. Infilare il convogliatore sulla stessa. Entrambi vanno orientati correttamente in modo che si possa riavvitare la vite di sicurezza.

Per la manutenzione dello sterilizzatore UV-C, o per la sostituzione della lampada, estrarlo prima dalla base (**Q**).

SOSTITUZIONE LAMPADA UV-C

Per avere una potenza di filtraggio ottimale si consiglia di cambiare la lampada UV-C dopo ca. 8000 ore di funzionamento.

Scollegare il filtro dalla presa di corrente.

1. Ruotare la ghiera esterna (**R**) in senso antiorario fino al fermo. La testa (**S**) del filtro si solleva di qualche millimetro ed è così facilmente estraibile dal filtro. Un sistema di sicurezza spegne la lampada, nel caso non fosse stata tolta l'alimentazione, per evitare l'esposizione ai raggi UV-C durante la manutenzione.
2. Sganciare la lampada (**T**) dalla sua sede tirandola con delicatezza.
3. Rimontare la lampada nuova nella stessa maniera.
4. Inserire nuovamente la testa (**S**) nel filtro: c'è un'unica posizione della testa (**S**) che le consente di entrare nel filtro (**U**).
5. Ruotare la ghiera (**R**) in senso orario per completare l'operazione.

PULIZIA DELLA PROVETTA

6. Per la pulizia della provetta in quarzo, dopo il punto 1, estrarre il gruppo provetta (**V**) tramite le due aperture apposite (**Z**) o servendosi di un cacciavite. Pulire l'esterno della provetta con uno spazzolino,

- sapone neutro, oppure con PUMP CLEAN di Sicce.
7. Inserire nuovamente il gruppo provetta (T) nel filtro: c'è un'unica posizione del gruppo provetta che gli consente di entrare nello sterilizzatore (U).
 8. Riprendere il rimontaggio dal punto 4.

ASSISTENZA

Vi consigliamo di prendere visione dei nostri video Tutorial a supporto dell'installazione e manutenzione dei prodotti, disponibili nel canale ufficiale www.youtube.com/SICCEspa.

AVVERTENZE PER IL CORRETTO SMALTIMENTO DEL PRODOTTO AI SENSI DELLA DIRETTIVA EUROPEA 2002/96/EC

Alla fine della sua vita utile, il prodotto non deve essere smaltito insieme ai rifiuti urbani. Può essere consegnato presso gli appositi centri di raccolta differenziata predisposti dalle amministrazioni comunali, oppure presso i rivenditori che forniscono questo servizio. Smaltire separatamente un elettrodomestico consente di evitare possibili conseguenze negative per l'ambiente e per la salute favorendo il recupero dei materiali ed un importante risparmio energetico.

GARANZIA

SICCE garantisce questo prodotto contro difetti di materiale e lavorazione per un periodo di cinque (5) anni dalla data di acquisto originale, ad eccezione del rotore della pompa, che è garantito per un periodo di sei (6) mesi. Questa garanzia è limitata alla riparazione o alla sostituzione (a discrezione di Sicce) del prodotto difettoso e non copre: perdita di pesci e/o piante nel laghetto, lesioni personali, danni da usura, danni da trasporto, o danni derivanti dall'uso improprio del prodotto. È necessario conservare la prova di acquisto originale per convalidare la garanzia. Qualsiasi garanzia qui contenuta deve essere eseguita in concomitanza e non in aggiunta a qualsiasi periodo minimo di garanzia stabilito dalla legge. I reclami in garanzia devono essere presentati al rivenditore presso il quale si è acquistato il prodotto. La mancanza di presentazione della prova d'acquisto allegata al reclamo, invaliderà il diritto alla garanzia. Collegandosi al sito www.sicce.com, nell'apposita sessione, si potrà richiedere assistenza, qualora non sia stato possibile contattare il rivenditore. Anche in questo caso la prova d'acquisto sarà requisito fondamentale per il corretto proseguo della procedura. Il richiedente deve ottenere una "Autorizzazione alla restituzione della merce" al momento della presentazione prima di inviare qualsiasi prodotto in garanzia o assistenza tecnica. L'acquirente sostiene i costi di spedizione da e verso il centro di assistenza o di riparazione. **ESCLUSIONI.** Questa garanzia non copre quanto segue: * Danni derivanti da incidenti, trasporto, uso improprio, abuso, mancanza di ragionevole cura, uso del prodotto diverso dal normale o ordinario, utilizzo del prodotto in condizioni di lavoro anormale o qualsiasi altro guasto non derivante da difetti nei materiali o nella lavorazione. * Danni derivanti da modifiche, manomissioni o tentativi di riparazione da parte di soggetti diversi da Sicce o da un suo incaricato. * Trasferimento del prodotto a soggetto diverso dall'acquirente originale. * Utilizzo del prodotto con standard elettrico diverso (Volt/Hz) da quello indicato.

SCOPRI COME OTTENERE 5 ANNI DI GARANZIA SUL TUO PRODOTTO. Per migliorare il servizio e la soddisfazione dei clienti, SICCE offre la possibilità di applicare 2 anni extra di garanzia semplicemente registrando il prodotto nel sito web www.sicce.com alla sessione "Supporto/ Registrazione prodotto".

EN

IT

DE

FR

ES

NL

PT

FILTRAPOND

Das FILTRAPOND-Filter Sortiment wurde für den einfachen und praktischen Einsatz in Teichen entwickelt. Die Filter haben spezielle Schaumstoffpolster, die eine effiziente mechanische Filterung bieten: ein seitlicher Schaumstoff mit geringerer Dichte zum Auffangen von Verunreinigungen und ein großer grober oberer Schaumstoff mit höherer Dichte zum Auffangen feinerer Verunreinigungen.

Spezielle Steine aus porösem Material sowie Filterpads fördern die biologische Filterung und helfen, in kurzer Zeit sauberes Wasser zu erreichen und zu erhalten.

Sterilisation durch UV-C. Diese Funktion wird durch den mitgelieferten speziellen UV-C-Klärer bereitgestellt. Das Wasser im Filter fließt durch die UVC-Kammer, wo die Lampe das Wasser behandelt. Die UV-C-Strahlen der Lampe unterstützen die Klarheit des Wassers.

TEICHFILTER FÜR ZIERTEICHE MIT UV-C STERILISATOR

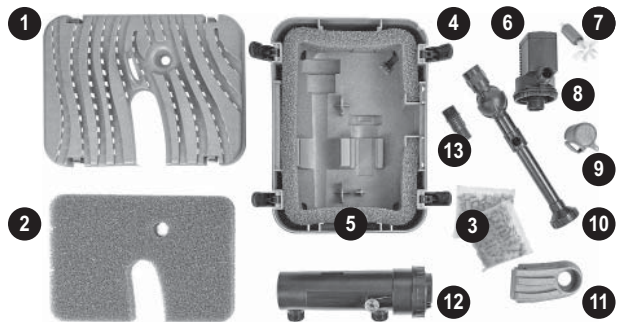
HINWEISE ZUR SICHERHEIT

Die FILTRAPOND Filter entsprechen den nationalen und internationalen gesetzlichen Sicherheitsvorschriften. Um jegliche Sach- und/oder Personenschäden zu vermeiden, müssen die unten angegebenen Sicherheitsnormen beachtet werden.

- WICHTIG:** Stets den Netzstecker dieses Produkts und aller anderen im Gartenteich vorhandenen Geräte aus der Steckdose ziehen, bevor die Hände ins Wasser getaucht werden, irgendwelche Installierungs- und Wartungsarbeiten ausgeführt werden oder die Geräte nicht benutzt werden.
- ACHTUNG:** Die UV –Strahlen sind gefährlich. Schauen Sie niemals direkt und berühren Sie die UV-C-Lampe, wenn es eingeschaltet ist. Es könnte die Augen und das Haut beschädigen. Um die Funktion der Lampe zu überprüfen, verwenden Sie die UV-C-Leuchtanzeige (A) am Filterkopf.
- Dieses Produkt ist ein Filter mit eingebautem UV-C-Sterilisator, der nur in Gartenteichen eingesetzt werden darf. Das Produkt keinem anderen Gebrauch als dem vorgesehenen zuführen.
- Das Gerät keinesfalls durch Ziehen am Speisekabel anheben oder verlagern.
- Das Gerät nicht in Schwimmbecken oder sonstigen Einrichtungen, wo sich Personen im Wasser befinden, benutzen.
- Das Gerät nicht benutzen, wenn es Beschädigungen am Kabel oder am Stecker aufweist. Wenn sich das Produkt als beschädigt erweist, muss es von einem spezialisierten Kundendienst-Center ausgewechselt werden.
- Kindern darf der Gebrauch dieses Geräts nicht gestattet werden.
- Der elektrische Anschluss des Geräts muss die auf dem Typenschild des Produkts selbst angegebenen Daten berücksichtigen.
- Falls ein Verlängerungskabel benutzt werden muss, sicherstellen, dass dieses hermetisch dicht ist.
- Dieses Produkt wurde für die Behandlung von Wasser mit einer Temperatur von + 4° C bis zu 35° C konzipiert.
- Wenn die Temperatur unter 0° C sinkt, die Stromversorgung abtrennen und den Filter vollständig entleeren. Es ist anzuraten, den Filter im Winter zu entfernen und an einem geschützten Ort unterzubringen.
- Das Gerät keinesfalls ohne Wasser benutzen.
- Das Gerät keinesfalls mit anderen Liquiden als Süßwasser benutzen.
- Das Gerät soll niemals mit einer Hydraulische Einbindung eingeleitet werden.

KOMPONENTEN

- Schale aus recyceltem Kunststoff
- Filterschaumpolster 20ppi
- Poröse Steine
- Verschlussshaken
- Seitenschaum
- Pumpe
- Rotor mit angeformter Welle
- Pumpenvolute
- Pumpeneinlassadapter
- Wasserspieldüsen
- Pumpenabdeckung
- UV-C-Sterilisator
- Schlauchanschlussstück



MERKMALE

- Energieeffiziente Pumpe für 24-Stunden-Betrieb
- Eingebauter UV-C-Klärer mit Kontrollleuchte
- Ein Netzkabel für Pumpe und UVC-Klärer
- Filterpads mit großer Oberfläche für reduzierten Wartungsaufwand
- Robustes Gehäuse aus recyceltem Kunststoff
- Fontänendüsenoptionen mit Teleskopaufsteiger und Umlenker
- Oberes Ansauggitter mit Anti-Clog-Design
- Oberer Griff zum Tragen des Filters oder Anbringen einer Trageschlaufe zum einfachen Herausnehmen des Filters

INSTALLIERUNG UND POSITIONIERUNG DES FILTERS

Stellen Sie den Filter auf den Boden des Teichs. Verwenden Sie eine Unterlegscheibe/Steiger unter dem Filter, wenn das Teleskoprohr selbst bei maximaler Verlängerung nicht aus dem Wasser kommt. (Siehe Filtermaß **B**) Schließen Sie das gewählte Wasserspiel am Ende des Schlauchs an.

Nivellieren Sie den Filter so, dass das Teleskoprohr und die Fontänendüse gerade sind, sodass das Wasser vertikal fließt.

Schließen Sie das Netzkabel erst nach Abschluss der Filterinstallation an. Das Kabel versorgt sowohl die Pumpe als auch die UV-C-Lampe mit Strom. Wasser, das aus der Düse fließt, zeigt an, dass die Pumpe arbeitet, und das hellblaue Licht zeigt an, dass die UV-C-Lampe funktioniert.

Heben Sie den Filter niemals am Netzkabel an, da dadurch das Kabel, der UV-C-Filter oder die Pumpe beschädigt werden.

Heben Sie den Filter nur am Griff im Deckel an. Haken Sie bei Bedarf eine Rückholschnur am Griff ein, um das Entfernen des Filters aus dem Teich zu erleichtern.

FILTERWARTUNG (Reinigung und Austausch der Filtermatten).

Lösen Sie die vier Haken (**C**) und entfernen Sie den Deckel (**D**). Zum Reinigen des Filters ist es nicht erforderlich, das Teleskoprohr und die Düse zu trennen.

Ziehen Sie den oberen (**E**) und seitlichen (**F**) Schaumstoff aus dem Filterkäfig (**G**), um die Reinigungsarbeiten zu erleichtern

Schrauben Sie zur Wartung des Filters zuerst das Teleskoprohr (**H**) ab und entfernen Sie den Deckel (**I**) über der Pumpe.

Entferne die Pumpe (**L**). Sobald die Pumpe entfernt ist, lösen Sie die Schraube (**M**) an der Vorderseite. Schieben Sie den Pumpeneinlassadapter (**N**) ab und drehen Sie das Spiralgehäuse (**O**) gegen den Uhrzeigersinn, um es vom Pumpenkörper weg zu bewegen. Ziehen Sie das Laufrad (**P**) kräftig aus seinem Sitz (es hat eine beträchtliche magnetische Anziehungskraft), und achten Sie darauf, die Bewegung sanft auszuführen, um die inneren Komponenten nicht zu beschädigen. Fahren Sie mit der Reinigung des Rotors mit einer kleinen Bürste, milden Seifen oder PUMP CLEAN von Sicce fort.

Wiederholen Sie die obigen Schritte in umgekehrter Reihenfolge und achten Sie darauf, das Laufrad wieder in sein Gehäuse einzusetzen. Bringen Sie die Spirale am Gehäuse an, indem Sie sie im Uhrzeigersinn drehen. Schrauben Sie den Pumpenansaugadapter auf. Beide sollten richtig ausgerichtet sein, damit die Sicherungsschraube wieder eingeschraubt werden kann.

Um den UV-C-Filter zu reinigen oder die Lampe auszutauschen, nehmen Sie ihn zuerst aus der Basis (**Q**) und lesen Sie dann die Anweisungen zum Austausch der UV-C-Lampe.

AUSTAUSCH DER UVC-LAMPE

Zur Optimierung der UV-C-Klärungen wird empfohlen, die UV-C-Lampe nach ca. 8000 Betriebsstunden oder Einmal pro Jahr.

Trennen Sie das Netzkabel von der Steckdose.

1. Drehen Sie die äußere Ringmutter (**R**) bis zum Anschlag gegen den Uhrzeigersinn. Der Kopf (**S**) des Trafos hebt sich um einige Millimeter und lässt sich so leicht aus dem Gehäuse lösen. Ein Sicherheitssystem schaltet die Lampe aus, falls der Strom nicht abgeschaltet wurde, um zu verhindern, dass sie während der Wartung UV-C-Strahlen ausgesetzt wird.
2. Lösen Sie die Lampe (**T**) aus ihrer Fassung, indem Sie vorsichtig daran ziehen.
3. Setzen Sie die neue Lampe auf die gleiche Weise wieder ein.
4. Setzen Sie den Kopf (**S**) wieder in den Filter ein – es gibt nur eine Position für den Kopf (**S**), um in

EN

IT

DE

FR

ES

NL

PT

FILTRAPOND

14

den Filter (U) einzutreten.

5. Drehen Sie die Ringmutter (R) im Uhrzeigersinn, um den Vorgang abzuschließen.

QUARZROHREREINIGUNG

6. Um die Quarzröhre zu reinigen, ziehen Sie nach Schritt 1 die Röhreinheit (V) durch die beiden entsprechenden Öffnungen (Z) oder mit einem Schraubendreher heraus. Reinigen Sie die Außenseite der Quarzhülse mit einer kleinen Bürste, milder Seife oder PUMP CLEAN von Sicce.
7. Setzen Sie die Baugruppe (T) wieder in das Gehäuse ein - es gibt nur eine Position, in der die Baugruppe in das Gehäuse (U) eingeführt werden kann, also richten Sie die Kerbe aus.
8. Setzen Sie den Zusammenbau ab Schritt 4 fort.

ONLINEHILFE

Schauen Sie unseres Tutorial Video auf dem offiziellen SICCE YOUTUBE Kanal an:

www.youtube.com/SICCEspa .

ENTSORGUNG (NACH RL2002/96/EC)

Gerät darf nicht dem normalen Hausmüll beigefügt werden, sondern muss fachgerecht entsorgt werden. Wichtig für Deutschland: Gerät über Ihre kommunale Entsorgungsstelle entsorgen. Entsorgung von Altgeräten: Wenn dieses Symbol eines durchgestrichenen Abfalleimers auf einem Produkt angebracht ist, unterliegt dieses Produkt der europäischen Richtlinie 2002/96/EC. Alle Elektro- und Elektronik-Altgeräte müssen getrennt vom Hausmüll über die dafür staatlich vorgesehenen Stellen entsorgt werden. Mit der ordnungsgemäßen Entsorgung des alten Geräts vermeiden Sie Umweltschäden und eine Gefährdung der persönlichen Gesundheit. Weitere Informationen zur Entsorgung des alten Geräts erhalten Sie bei der Stadtverwaltung, beim Entsorgungsamt oder in dem Geschäft, wo Sie das Produkt erworben haben.

GARANTIE

SICCE garantiert dem ursprünglichen Käufer dieses Produkt (siehe Ausschlüsse unten) für einen Zeitraum von fünf (5) Jahren ab dem ursprünglichen Kaufdatum gegen Material- und Verarbeitungsfehler, mit Ausnahme des Pumpenlaufrads, das für einen Zeitraum von sechs (6) Monaten garantiert wird. Diese Garantie beschränkt sich nur auf die Reparatur oder den Ersatz (nach Wahl von Sicce) des defekten Produkts und deckt nicht den Verlust von Gartenteichsneben, Personen- oder Sachschäden oder Schäden, die durch den Gebrauch des Produkts entstehen. Wir empfehlen, den Original-Kaufbeleg aufzubewahren, um die Garantie zu bestätigen. Garantieansprüche müssen bei dem Händler eingereicht werden, bei dem Sie das Produkt gekauft haben. Bei Nichtvorlage des der Reklamation beigefügten Kaufbelegs erlischt der Anspruch auf die Garantie. Durch die Verbindung mit der Website www.sicce.com, in der entsprechenden Sitzung, können Sie Hilfe anfordern, wenn es nicht möglich war, den Händler zu kontaktieren. Auch in diesem Fall ist der Kaufnachweis eine Grundvoraussetzung für die korrekte Durchführung des Rückgabeverfahrens. Die hierin enthaltene Garantie läuft parallel zu und nicht zusätzlich zu den gesetzlich vorgeschriebenen Mindestgarantiezeiten. Der Antragsteller muss eine "Warenrücksendegenehmigung" einholen, bevor er ein Produkt zur Gewährleistung oder zum technischen Service einsendet. Der Käufer trägt die Kosten für den Versand zum und vom Service-Center oder zur Reparaturstation. **AUSSCHLÜSSE.** Von dieser Garantie ist Folgendes ausgeschlossen: *Schäden, die auf einen Unfall, unsachgemäßen Gebrauch, Missbrauch, Mangel an angemessener Sorgfalt, eine nicht normale oder gewöhnliche Verwendung des Produkts, die Verwendung des Produkts unter anormalen Arbeitsbedingungen oder andere Fehler, die nicht auf Material- oder Verarbeitungsfehler zurückzuführen sind, zurückzuführen sind. *Schäden, die durch Modifikation, Manipulation oder Reparaturversuche durch andere Personen als Sicce oder deren Beauftragte entstanden sind. * Weitergabe des Produkts an eine andere Person als den ursprünglichen Käufer. * Anschluss des Produkts an einen Stromanschluss, der nicht in der Verpackung angegeben ist; der ursprüngliche Käufer ist für die Bereitstellung angemessener elektrischer Einrichtungen verantwortlich.“

FINDEN SIE HERAUS, WIE SIE 5 JAHRE GARANTIE FÜR IHR PRODUKT BEKOMMEN

Um unseren Service und die Zufriedenheit unserer Kunden zu verbessern, bietet Sicce die Möglichkeit, die Garantie um 2 Jahre (insgesamt 5 Jahre) zu verlängern, indem Sie Ihr Produkt einfach auf unserer Website www.sicce.com, unter "Unterstützung/Produktregistrierung" registrieren.

La gamme de filtres FILTRAPOND est conçue pour une utilisation facile et pratique dans les bassins. Les filtres sont dotés d'éponges spéciales qui assurent une filtration mécanique efficace : une éponge latérale de faible densité qui permet de bloquer les plus grosses impuretés et une grande éponge supérieure de densité plus élevée qui permet de capturer les impuretés plus fines.

Outre les éponges, des pierres spéciales en matériau poreux favorisent la filtration biologique et aident à obtenir et maintenir une eau propre en peu de temps.

Stérilisation par rayons UV-C. Cette fonction est assurée par la lampe UV-C spéciale incluse dans l'appareil. L'eau à l'intérieur du filtre suit un parcours forcé qui la conduit dans le boîtier où se trouve la lampe. Celle-ci, grâce à ses rayons UV-C, neutralise les algues et rend l'eau transparente.

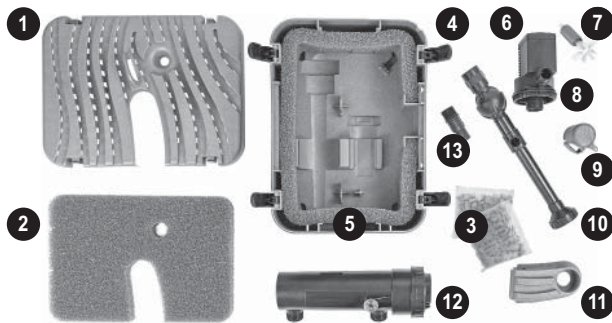
NORMES DE SECURITÉ

Les filtres FILTRAPOND sont conformes aux normes de sécurité nationales et internationales. Nous vous prions de lire attentivement les notices suivantes avant d'utiliser FILTRAPOND afin d'éviter tout risque de blessures ou dommages.

- ATTENTION:** déconnecter tous les appareils électriques immergés avant une quelconque manutention ou nouvelle installation dans l'eau.
- ATTENTION:** Les rayons ultraviolets peuvent être dangereux. Ne JAMAIS regardez directement ou toucher la lampe UV-C quand en fonction. Cela peut blesser les yeux et la peau. Pour vérifier le fonctionnement de la lampe, utiliser l'indicateur lumière UV-C (A).
- Ce produit est un filtre équipé de stérilisateur UV-C pour une utilisation dans des bassins d'agrément. Ne pas utiliser l'appareil pour toute autre application.
- Ne jamais utiliser le câble d'alimentation pour soulever ou déplacer l'appareil.
- Ne pas utiliser l'appareil pour les piscines ou autre application où on y pourrait avoir des gens dans l'eau.
- Ne pas utiliser l'appareil si le câble d'alimentation ou la prise sont endommagés. Si le produit est endommagé, il doit être remplacé par le centre de vente spécialisée.
- Cet appareil n'a pas été conçu pour une utilisation par des personnes (y compris des enfants) ayant une capacité physique, sensorielle ou mentale réduite, sauf en cas de surveillance par une tierce personne responsable de leur sécurité. S'assurer que les enfants ne touchent pas cet appareil.
- L'alimentation électrique doit être conforme aux données électriques écrites sur l'étiquette du produit.
- Si une rallonge est nécessaire, s'assurer qu'elle soit étanche (même la connexion).
- Ce produit a été conçu pour fonctionner avec une température de l'eau entre +4° C et +35° C.
- Si la température descend en dessous de 0° C, débrancher le filtre et le vider complètement. Pendant l'hiver, il est préférable d'enlever le filtre et le stocker dans un endroit abrité.
- Ne jamais faire fonctionner l'appareil sans eau.
- Ne jamais faire fonctionner l'appareil avec des liquides différents de l'eau douce.
- Ne jamais raccorder le filtre au système hydraulique.

COMPOSANTS

- Coque en plastique recyclé
- Éponges de 20ppi de surface
- Pierres poreuses
- Crochets de fermeture
- Éponge latérale
- Pompe
- Rotor avec arbre co-moulé
- Pré-chambre de la pompe - Pièce détachée
- Convoyeur
- Kit jeux d'eau
- Couvercle pompe
- Stérilisateur UV-C
- Raccord pour tuyau multi-diamètre



CARACTÉRISTIQUES

- Fonctionnement 24 avec pompe à faible consommation d'énergie

EN

- Stérilisateur UV-C intégré avec voyant lumineux
- Câble d'alimentation unique pour pompe et stérilisateur UVC
- Grande surface de filtration
- Coque en plastique recyclé résistant et robuste
- Tube télescopique avec articulation orientable
- Grille d'aspiration supérieure avec fonction anti-colmatage
- Poignée pratique pour transporter le filtre ou pour attacher un cordon pour faciliter la récupération du filtre.

FR

INSTALLATION DU FILTRE

Placer le filtre au fond du bassin. Utiliser un éventuel élévateur si le tube télescopique, même dans son extension maximale, ne sort pas de l'eau. (Voir les Mesures FILTRAPOND B)

Ajouter le jeu d'eau choisi à l'extrémité du tube télescopique et l'orienter si le filtre n'est pas nivelé.

Brancher le câble d'alimentation seulement après avoir terminé l'installation du filtre. Le câble alimente à la fois la pompe et le stérilisateur UV-C. L'activation du jeu d'eau indique que la pompe fonctionne, le voyant lumineux bleu indique que le stérilisateur UV-C fonctionne.

Ne jamais tirer le filtre du câble d'alimentation : vous pourriez endommager le câble et le produit.

Soulever le filtre uniquement au moyen de la poignée située sur le couvercle. Accrocher éventuellement une corde de récupération à la poignée pour faciliter l'opération.

ES

NL

PT

FILTRAPOND

ENTRETIEN DU FILTRE (Nettoyage et remplacement des éponges)

Desserrer les quatre crochets (C) et retirer le couvercle (D) latéralement. Il n'est pas nécessaire d'enlever le tube télescopique et les jets d'eau pour nettoyer les éponges.

Retirer l'éponge supérieure (E) et l'éponge latérale (F) de la base du filtre (G) pour faciliter le lavage.

Pour entretenir la pompe, dévisser d'abord le tube télescopique (H) et retirer le couvercle (I) au-dessus de la pompe.

Une fois la pompe enlevée (L), dévisser la vis (M) sur la partie frontale. Retirer le convoyeur avant (N) et tourner la préchambre (O) dans le sens antihoraire pour l'éloigner du corps de pompe. Extraire avec fermeté le rotor (P) de son logement (il a une attraction magnétique considérable), en prenant soin d'effectuer le mouvement délicatement afin de ne pas endommager les composants internes. Procéder au nettoyage du rotor à l'aide d'une petite brosse, du savon neutre ou du produit PUMP CLEAN de Sicce.

Répéter les opérations ci-dessus dans l'ordre inverse, en prenant soin de réinsérer le rotor dans son siège. Fixer la préchambre au corps en la tournant dans le sens horaire. Faire glisser le convoyeur sur celle-ci. Ils doivent être tous les deux orientés correctement afin que la vis de sécurité puisse être serrée.

Pour l'entretien du stérilisateur UV-C ou pour remplacer la lampe, la retirer d'abord de la base (Q).

REMPACEMENT DE LA LAMPE UV-C

Pour une puissance de filtrage optimale, nous recommandons de changer la lampe UV-C après environ 8 000 heures de fonctionnement.

Débrancher le filtre de la prise de courant.

1. Tourner la bague externe (R) dans le sens anti-horaire jusqu'à la butée. La tête du filtre (S) se soulève de quelques millimètres et peut ainsi être facilement extraite du filtre. Un système de sécurité éteint la lampe, au cas où l'alimentation électrique n'aurait pas été coupée, afin d'éviter l'exposition aux rayons UV-C pendant l'entretien.
2. Retirer la lampe (T) de son siège en la tirant délicatement.
3. Remonter la lampe neuve de la même manière.
4. Insérer à nouveau la tête (S) dans le filtre: une seule position de la tête (S) lui permet d'entrer dans le filtre (U).
5. Tourner la bague (R) dans le sens horaire pour compléter l'opération.

NETTOYAGE DU TUBE

6. Pour nettoyer le tube en quartz, après l'étape 1, retirer l'ensemble du tube (V) à l'aide des deux ouvertures prévues (Z) ou d'un tournevis. Nettoyer l'extérieur du tube avec une brosse, du savon neutre ou avec PUMP CLEAN de Sicce.
7. Insérer à nouveau l'ensemble du tube (T) dans le filtre : une seule position du groupe du tube lui

permet d'entrer dans le stérilisateur (U).

8. Reprendre le remontage à partir de l'étape 4.

EN

IT

DE

FR

ES

NL

PT

FILTRAPOND

SUPPORT EN LIGNE

Regarder nos vidéos-notices sur le canal officiel YOUTUBE SICCE www.youtube.com/SICCEspa.

INSTRUCTIONS POUR LA DÉCHARGE CORRECTE DU PRODUIT SELON L'EU 2002/96/EC DIRECTIF

Une fois utilisé ou cassé, le produit ne doit pas être jeté dans les poubelles domestiques mais dans les conteneurs spécialement prévus pour ce type de produits. Il peut être livré aux centres de rebut électriques spécifiques de collection ou aux distributeurs qui donnent ce service. Décharger séparément un outil électrique évite des conséquences négatives pour l'environnement et pour la santé et permet de régénérer les matériaux pour avoir une grande économie d'énergie et des ressources naturelles.

GARANTIE

SICCE garantit ce produit (voir Exclusions ci-dessous) à l'acheteur d'origine contre les défauts de matériaux et de fabrication pendant une période de cinq (5) ans à compter de la date d'achat d'origine, à l'exception de la turbine de la pompe, qui est garantie pour une période de six (6) mois. Cette garantie est limitée à la réparation ou au remplacement (au choix de Sicce) du produit défectueux uniquement et ne couvre pas la perte des plantes et poissons du bassin, les blessures corporelles, la perte de propriété ou les dommages résultant de l'utilisation du produit. Nous vous recommandons de conserver la preuve d'achat originale pour valider la garantie. Les réclamations de garantie doivent être soumises au détaillant où vous avez acheté le produit. Ne pas présenter une preuve d'achat jointe à la réclamation invalidera le droit à la garantie. En vous connectant au site www.sicce.com, dans la session appropriée, vous pouvez demander une assistance s'il n'a pas été possible de contacter le revendeur. Dans ce cas également, la preuve d'achat sera une exigence fondamentale pour la bonne exécution de la procédure de retour. Toute garantie dans le présent document fonctionnera en même temps que les périodes de garantie minimales établies par la loi applicable et pas au-delà. Le demandeur doit obtenir une « Autorisation de retour de la marchandise » au moment du dépôt avant d'envoyer tout produit pour la garantie ou le service technique. Les frais d'expédition vers et depuis le centre de service ou la station de réparation sont à la charge de l'acheteur. **EXCLUSIONS.** Cette garantie ne couvre pas les éléments suivants : *Les dommages résultant d'un accident, d'une mauvaise utilisation, d'un abus, d'un manque de soin raisonnable, d'une utilisation du produit autre que normale ou ordinaire, de l'utilisation du projet dans des conditions de travail anormales ou de toute autre défaillance ne résultant pas de défauts de matériaux ou de fabrication. *Dommages résultant d'une modification, d'une altération ou d'une tentative de réparation par une personne autre que Sicce ou son mandataire. *Transfert du produit à une personne autre que l'acheteur initial. *Soumettre le produit à un fonctionnement électrique non spécifié dans l'emballage ; l'acheteur initial est responsable de fournir des installations électriques adéquates ».

DÉCOUVREZ COMMENT GARANTIR VOTRE PRODUIT PENDANT 5 ANS Pour améliorer notre service et la satisfaction de nos clients, Sicce offre la possibilité d'ajouter une extension de 2 ans (5 ans au total) à la garantie en enregistrant simplement votre produit sur notre site Web www.sicce.com, dans « Support/ enregistrement du produit ».

EN

IT

DE

FR

ES

NL

PT

FILTRAPOND

La gama de filtros FILTRAPOND ha sido diseñada para un uso fácil y práctico en estanques. Los filtros están equipados con esponjas especiales que garantizan una filtración mecánica eficiente: una esponja lateral con menor densidad para ayudar a bloquear las impurezas gruesas y una esponja superior grande con mayor densidad para capturar las impurezas más finas.

Las piedras especiales de material poroso, además de las esponjas, favorecen la filtración biológica y contribuyen a conseguir y mantener la limpieza del agua en poco tiempo.

Esterilización por rayos UV-C. Esta función está garantizada por la lámpara especial UV-C incluida en el aparato. El agua del interior del filtro sigue un camino forzado que la canaliza hacia el interior de la carcasa donde se coloca la lámpara. Este, gracias a sus rayos UV-C, neutraliza las algas y aclara el agua.

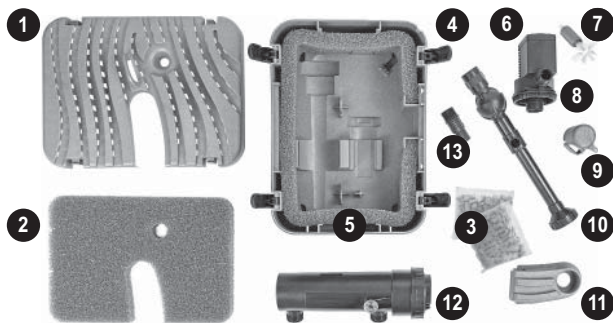
NORMAS DE SEGURIDAD

Los filtros FILTRAPOND son conforme con las normas de seguridad nacionales e internacionales. Con la finalidad de evitar cualquier tipo de daño a personas o cosas le aconsejamos de seguir las siguientes normas de seguridad que se detallan a continuación:

1. **IMPORTANTE** desenchufar el filtro y los demás aparatos presentes en el estanque antes de introducir las manos dentro del agua, en caso de ser necesaria cualquier operación de instalación y/o mantenimiento, o bien, cuando los mismos no estén en funcionamiento.
2. **CUIDADO! LA RADIACION ULTRAVIOLETA PUEDE SER MUY PELIGROSA.** Nunca observar o tocar la lámpara UV-C cuando la misma está encendida, ya que esta acción podría provocar lesiones en los ojos y/o en la piel. El correcto funcionamiento de la lámpara deberá siempre ser controlado a través del indicador transparente específico (A).
3. Este producto es un filtro con esterilizador UV-C incorporado y debe ser utilizado solamente en estanques ornamentales. El producto no es apto para ser usado en cualquier otro modo que no sea el indicado por el fabricante.
4. No sujetar nunca el aparato por el cable de alimentación eléctrica en caso de que sea necesario levantar y/o trasladar el mismo.
5. No emplear el aparato en piscinas o bien contextos similares, en los cuales, se encuentren personas sumergidas en el agua.
6. No utilizar el aparato en caso se verifique que el cable de alimentación eléctrica o bien el enchufe resulten dañados. Si el producto presenta algún tipo de daño, se aconseja dirigirse al centro de asistencia especializado mas cercano para su eventual sustitución y/o reparación.
7. El filtro no ha sido proyectado para ser usado por personas discapacitadas o niños, por lo cual, se recomienda mantener el producto fuera del alcance de los mismos.
8. Antes de conectar el aparato a la corriente eléctrica asegurarse siempre que el valor de tensión CA nominal, coincida con el de la red eléctrica local (ver etiqueta específica sobre el aparato).
9. En caso se tuviese que utilizar un alargue para conectar a la corriente eléctrica el aparato, asegurarse siempre que el mismo pueda ser resistente al agua.
10. El producto ha sido diseñado para operar con agua en un rango de temperatura entre +4° C y +35° C.
11. En caso de que la temperatura del agua descienda por debajo de 0° C desconectar inmediatamente el filtro de la corriente eléctrica y vaciarlo completamente. Durante el periodo invernal, aconsejamos desinstalar el aparato y mantenerlo en un lugar convenientemente protegido y seco.
12. No operar nunca el aparato sin flujo de agua.
13. No operar nunca el filtro con un liquido diferente al agua dulce.
14. No intentar nunca conectar el filtro a la red hidráulica.

COMPONENTES

1. Carcasa de plástico reciclado
2. Esponjas de superficie de 20ppi
3. Piedras porosas
4. Ganchos de cierre
5. Esponja lateral
6. Bomba
7. Rotor con eje co-moldeado
8. Precámara bomba - Recambio
9. Transportador
10. Kit de juegos de agua
11. Tapa bomba
12. Esterilizador UV-C
13. Adaptador con rosca



CARACTERÍSTICAS

- Funcionamiento las 24 horas con bomba de bajo consumo energético
- Esterilizador UV-C incorporado con luz indicadora
- Cable de alimentación único para bomba y Esterilizador UVC
- Gran superficie filtrante
- Carcasa de plástico reciclado fuerte y resistente
- Tubo telescópico con junta regulable
- Rejilla de aspiración superior con función antiobstrucción
- Práctico asa para transportar el filtro o para sujetar un cordón para facilitar la recuperación del filtro

INSTALACIÓN DEL FILTRO

Coloque el filtro en el fondo del estanque. Utilice un posible elevador si el tubo telescópico, incluso en su máxima extensión, no sale del agua. (Ver Mediciones FILTRAPOND B)

Agregue la fuente de agua seleccionada al final del tubo telescópico y diríjalo si el filtro no está nivelado.

Conecte el cable de alimentación solo después de completar la instalación del filtro. El cable alimenta tanto la bomba como el esterilizador UV-C. La función de agua corriente indicará que la bomba está funcionando, la luz azul indicará el funcionamiento del esterilizador UV-C.

Nunca tire del filtro del cable de alimentación: podría dañar el cable y el producto.

Solo levante el filtro usando el asa en la tapa. Posiblemente fije una cuerda de recuperación al mango para facilitar la operación.

MANTENIMIENTO DEL FILTRO (Limpieza y cambio de esponjas)

“suelte los cuatro ganchos (C) y retire la tapa (D) del lateral. No es necesario desenchufar el tubo telescópico y los juguetes de agua de limpieza con esponja.

Retire la esponja superior (E) y lateral (F) de la base del filtro (G) para facilitar las operaciones de lavado

“Para el mantenimiento de la bomba, primero desenrosque el tubo telescópico (H) y retire la tapa (I) de arriba de la bomba.”

Una vez extraída la bomba (L), desatornillar el tornillo (M) de la parte delantera. Retire el transportador frontal (N) y gire la precámara (O) en sentido antihorario para alejarla del cuerpo de la bomba. Extraiga firmemente el rotor (P) de su asiento, (tiene una atracción magnética considerable) prestando atención a realizar el movimiento con delicadeza, para no dañar los componentes internos. Proceda con la limpieza del rotor utilizando un cepillo pequeño, jabones neutros o el producto PUMP CLEAN de Sicce.

Repita las operaciones descritas anteriormente en orden inverso, prestando atención una vez más a la re inserción del rotor en su asiento. Fije la precámara al cuerpo girándola en el sentido de las agujas del reloj. Inserte el transportador en él. Ambos deben orientarse correctamente para poder volver a enroscar el tornillo de seguridad.

Para mantener el esterilizador UV-C, o para reemplazar la lámpara, primero retírela de la base (Q).

REEMPLAZO DE LA LÁMPARA UV-C

Para un rendimiento óptimo del filtro, se recomienda cambiar la lámpara UV-C después de aprox. 8000 horas de funcionamiento. Desenchufe el filtro del tomacorriente.

EN

IT

DE

FR

ES

NL

PT

FILTRAPOND

20

EN

IT

DE

FR

ES

NL

PT

FILTRAPOND

1. Gire la tuerca anular exterior (**R**) en sentido contrario a las agujas del reloj hasta que se detenga. La cabeza (**S**) del filtro se eleva unos pocos milímetros y, por lo tanto, se puede quitar fácilmente del filtro. Un sistema de seguridad apaga la lámpara, si no se ha cortado el suministro eléctrico, para evitar la exposición a los rayos UV-C durante el mantenimiento.
2. Suelte la bombilla (**T**) de su alojamiento tirando suavemente de ella.
3. Vuelva a colocar la bombilla nueva de la misma manera.
4. Vuelva a introducir el cabezal (**S**) en el filtro: solo hay una posición para el cabezal (**S**) que le permite entrar en el filtro (**U**).
5. Gire la tuerca anular (**R**) en el sentido de las agujas del reloj para completar la operación.

LIMPIEZA DEL TUBO DE ENSAYO

6. Para limpiar la probeta de cuarzo, después del punto 1, extraiga el grupo de probetas (**V**) a través de las dos aberturas especiales (**Z**) o con un destornillador. Limpiar el exterior del tubo con un cepillo, jabón neutro o con PUMP CLEAN de Sicce.
7. Inserte el grupo de tubos de ensayo (**T**) nuevamente en el filtro: solo hay una posición del grupo de tubos de ensayo que le permite ingresar al esterilizador (**U**).
8. Reanudar el montaje desde el punto 4.

AYUDA ON-LINE

Vea nuestros videos tutoriales en el canal oficial de YOU TUBE de SICCE: www.youtube.com/SICCEspa.

INSTRUCCIONES PARA DESHACERSE DEL PRODUCTO DE ACUERDO CON LA DIRECTIVA EUROPEA 2002/96/EC

Si en un producto aparece el símbolo de un contenedor de basura tachado, significa que éste se acoge a la Directiva 2002/96/EC. Todos los aparatos eléctricos o electrónicos se deben desechar de forma distinta al servicio municipal de recogida de basuras, a través de los puntos de recogida designados por el gobierno o las autoridades locales. La correcta recogida y tratamiento de los dispositivos inservibles contribuye a evitar riesgos potenciales para el medio ambiente y la salud pública. Para obtener más información sobre cómo deshacerse de sus aparatos eléctricos y electrónicos viejos, póngase en contacto con su ayuntamiento, el servicio de recogida de basuras o el establecimiento donde adquirió el producto.

GARANTÍA

SICCE garantiza este producto (ver Exclusiones más abajo) al comprador original contra defectos de materiales y mano de obra durante un periodo de cinco (5) años a partir de la fecha de compra original, excepto el impulsor de la bomba, que está en garantía por un periodo de seis (6) meses. Esta garantía se limita a la reparación o sustitución (a elección de Sicce) del producto defectuoso y no cubre la pérdida de vida del estanque, las lesiones personales, la pérdida de propiedad o los daños derivados del uso del producto. Se recomienda conservar el comprobante de compra original para validar la garantía. Las reclamaciones de garantía deben presentarse en el establecimiento donde se compró el producto. Si no se presenta el comprobante de compra adjunto a la reclamación, se invalidará el derecho a la garantía. Conectándose a la página web www.sicce.com, en la sesión correspondiente, podrá solicitar asistencia si no ha sido posible contactar con el distribuidor. También en este caso la prueba de compra será un requisito fundamental para la correcta ejecución del procedimiento de devolución. El plazo de la presente garantía será simultáneo, y no adicional, a los plazos mínimos de garantía establecidos por la legislación vigente. El reclamante deberá obtener una "Autorización de Devolución de Mercancía" en el momento de la presentación antes de enviar cualquier producto para su garantía o servicio técnico. El comprador corre con los gastos de envío de ida y vuelta al centro de servicio o estación de reparación. EXCLUSIONES. Esta garantía no cubre lo siguiente: *Daños resultantes de accidentes, mal uso, abuso, falta de cuidado razonable, uso del producto que no sea el normal u ordinario, uso del proyecto en condiciones de trabajo anormales o cualquier otro fallo que no sea resultado de defectos en los materiales o en la mano de obra. *Daños resultantes de la modificación, manipulación o intento de reparación por parte de cualquier persona que no sea Sicce o su representante. * La transferencia del producto a alguien que no sea el comprador original. * La exposición del producto a un servicio eléctrico no especificado en el embalaje; el comprador original es responsable de proporcionar las instalaciones eléctricas adecuadas".

SAIBA COMO OBTENER A GARANTIA DO SEU PRODUTO POR 5 ANOS Para melhorar o nosso serviço e a satisfação dos nossos clientes, a Sicce oferece a possibilidade de adicionar uma extensão de 2 anos (total de 5 anos) à garantia, bastando registrar o seu produto no nosso site www.sicce.com, em "Support/ product's registration".

Het filterassortiment van FILTRAPOND is ontworpen voor eenvoudig en praktisch gebruik in vijvers. De filters hebben speciale filtersponzen die zorgen voor een efficiënte mechanische filtratie: een spons aan de zijkant met een lagere dichtheid om grove onzuiverheden op te vangen en een grote spons aan de bovenkant met een hogere dichtheid om fijnere onzuiverheden op te vangen.

Speciale poreuze stenen bevorderen naast de filtersponzen de biologische filtratie en helpen om in korte tijd schoon water te bereiken en te behouden.

Sterilisatie door UV-C. Deze functie wordt verzorgd door de speciale UV-C lamp die inclusief is. Het water in het filter stroomt door de UV-C waar de lamp het water behandelt. De UV-C-stralen van de lamp dragen bij aan de helderheid van het water.

FILTRAPOND voldoet aan de nationale en internationale veiligheid normen. Ter voorkoming van schade aan zaken en/of personen adviseren we dringend om de vermelde veiligheidsnormen in acht te nemen.

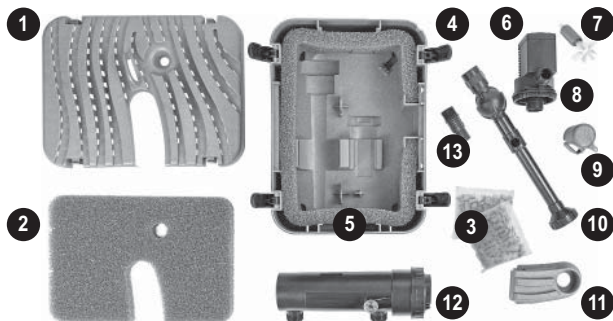
VEILIGHEIDSinSTRUCTIES

Los Filtro FILTRAPOND son em conformidade com leis nacionais e internacionais de segurança. A fim de evitar danos a pessoas ou coisas, recomendamos respeitar as instruções a seguir.

- BELANGRIJK:** koppel altijd de voedingsstekker van dit product los en van alle andere in de vijver aanwezige apparaten alvorens de handen in het water te steken en alvorens enige installatie- of onderhoudswerkzaamheden te verrichten, ook wanneer de apparaten niet in gebruik zijn.
- LET OP:** os raios ultravioletas são perigosas. Nunca olhar diretamente nem toque na lâmpada UV-C quando ela de ultraviolete stralen zijn gevaarlijk. Nooit in de UV-C lamp kijken wanneer deze is aangezet. Dit kan schade veroorzaken aan de ogen of aan de huid. Om de werking van de lamp te checken moet het doorzichtige controlelampje (A) worden gebruikt .
- Dit product is een filter met een geïntegreerde UV-C sterilisator dat alleen voor siervijvers mag worden gebruikt. Dit product niet toepassen voor andere gebruiksdoeleinden dan waarvoor het is bestemd.
- Het apparaat nooit aan de voedingskabel optillen of verplaatsen.
- Het apparaat niet gebruiken in zwembaden of in een andere context waar personen zich in het water bevinden.
- Het apparaat niet gebruiken wanneer de kabel of de stekker beschadigd is. Als het product schade vertoont moet het door een gespecialiseerd servicecentrum worden vervangen.
- Het filter is niet geschikt voor minder bekwame personen of kinderen, houdt het daarom buiten hun bereik.
- De elektrische aansluiting van het apparaat moet in overeenstemming zijn met de elektrische gegevens op het etiket van het product zelf.
- Indien nodig een verlengsnoer gebruiken en controleren of deze waterdicht is.
- Dit product is ontworpen voor de behandeling van water met een temperatuur tussen +4° C en +35° C.
- Wanneer de temperatuur beneden 0° C komt dan de stroom uitschakelen en het filter volledig legen. In de winter is het beter om het filter te verwijderen en op een beschutte plaats op te bergen.
- Het toestel mag nooit worden gebruikt zonder water.
- Het filter mag niet worden gebruikt met andere vloeistoffen dan zoet water.
- Het filter mag nooit worden aangesloten op het hydraulische systeem.

COMPONENTEN

- Omhulsel van gerecycled plastic
- Filterspons 20ppi
- Poreuze stenen
- Sluitstuk
- Spons aan de zijkant
- Pomp
- Rotor met meegevormde as
- Pompslakkenhuis
- Pomp inlaat adapter
- Kit waterspelen
- Pompdeksel
- UV-C lamp
- Trapsgewijze verbinding



FUNCTIONIES

- Energiezuinige pomp die 24 uur per dag werkt
- Ingebouwde UV-C lamp met indicatielampje
- Enkelvoudig netsnoer voor pomp en UV-C lamp
- Filtersponzen met groot oppervlak voor minder onderhoud
- Stevig koffer van gerecycled plastic
- Opties voor waterspelen met telescopische buis en verdeler
- Bovenaanzuigrooster met anti-verstopingsontwerp
- Bovenste handgreep voor het dragen van het filter of het bevestigen van een koord om het filter gemakkelijk uit de vijvert te halen

HET PLAATSEN VAN DE FILTER

Plaats het filter op de bodem van de vijver. Gebruik een opvulstuk/verhoging onder het filter als de telescopische buis, zelfs bij maximale verlenging, niet uit het water komt. (Zie Filtermaat **B**)

Sluit het gekozen waterspel aan op het uiteinde van de buis.

Zet het filter waterpas zodat de telescopische buis en de spuitmond recht staan, zodat het water verticaal stroomt.

Sluit de voedingskabel pas aan nadat de filterinstallatie is voltooid. De kabel voedt zowel de pomp als de UV-C lamp. Water dat uit het waterspel stroomt geeft aan dat de pomp werkt en het felblauwe licht geeft aan dat de UV-C-lamp werkt.

Til het filter nooit op aan de voedingskabel, dit beschadigt de kabel van de UV-C lamp of de pomp.

Til het filter alleen op aan het handvat van het deksel. Haak indien nodig een ophaalkoord aan het handvat om het filter gemakkelijker uit de vijver te kunnen halen.

FILTERONDERHOUD (Reiniging en vervanging van de filtersponzen).

Maak de vier haken (**C**) los en verwijder het deksel (**D**). Het is niet nodig om de telescopische buis en het mondstuk los te koppelen om het filter om het te reinigen.

Haal de spons aan de bovenkant (**E**) en aan de zijkant (**F**) uit de filter (**G**) om het schoonmaken te vergemakkelijken

Voor het onderhoud van het filter draait u eerst de telescopische buis (**H**) los en verwijdert u het deksel (**I**) aan de bovenkant van de pomp.

Verwijder de pomp (**L**). Nadat de pomp is verwijderd draait u de schroef (**M**) aan de voorzijde los. Schuif de pomp inlaat adapter (**N**) eraf en draai het slakkenhuis (**O**) tegen de klok in om het weg te halen van het pomphuis. Trek de rotor (**P**) stevig uit zijn behuizing (deze heeft een sterke magnetische aantrekkingskracht) en zorg ervoor dat u de beweging voorzichtig uitvoert om de interne componenten niet te beschadigen. Ga verder met het reinigen van de rotor met een kleine borstel, milde zeep of Sicce's PUMP CLEAN.

Herhaal de bovenstaande stappen in omgekeerde volgorde en zorg ervoor dat u de rotor weer in de behuizing plaatst. Bevestig het slakkenhuis aan de pomp door het met de klok mee te draaien. Schroef de inlaatadapter van de pomp vast. Beide moeten correct zijn gericht, zodat de veiligheidsschroef er weer in kan worden geschroefd.

Om de UV-C lamp te reinigen of de lamp te vervangen, haalt u deze eerst uit de basis (**Q**) en raadpleegt u vervolgens de instructies voor het vervangen van de UV-C-lamp.

UV-C LAMP VERVANGEN

Om de UV-C licht opbrengst te optimaliseren, wordt aanbevolen om de UV-C lamp na ca. 8000 bedrijfsuren of eenmaal per jaar te vervangen.

Haal de voedingskabel uit het stopcontact.

1. Draai de buitenste ringmoer (**R**) tegen de klok in tot deze stopt. De kop (**S**) van de transformator komt enkele millimeters omhoog en is zo eenvoudig uit de behuizing te halen. Een veiligheidssysteem schakelt de lamp uit als de stroom niet is uitgeschakeld, om blootstelling aan UV-C-stralen tijdens het onderhoud te voorkomen.
2. Haal de lamp (**T**) uit de fitting door er voorzichtig aan te trekken.
3. Plaats de nieuwe lamp op dezelfde manier terug.
4. Plaats de kop (**S**) terug in het filter - er is maar één positie voor de kop (**S**) om het filter (**U**) binnen te gaan.
5. Draai de ringmoer (**R**) rechtsom om de handeling te voltooien.

REINIGING VAN DE KWARTSBUIS

6. Om de kwartsbuis schoon te maken, trekt u na stap 1 de buisconstructie (V) eruit door de twee daarvoor bestemde openingen (Z) of met behulp van een schroevendraaier. Reinig de buitenkant van de kwartsbuis met een kleine borstel, milde zeep of Sicce's PUMP CLEAN.
7. Plaats de module (T) terug in de behuizing - er is maar één positie voor de module om de behuizing (U) in te gaan, dus lijn de inkeping uit.
8. Ga verder met het in elkaar zetten vanaf stap 4.

ONLINE HULP

Bekijk onze instructievideo's op het SICCE YOU TUBE kanaal www.youtube.com/SICCEspa.

AANWIJZINGEN VOOR EEN JUISTE AFVOER VAN HET PRODUCT VOLGENS DE EUROPESE RICHTLIJN 2002/96/EG

Aan het einde van zijn bruikbaarheidsduur, mag het product niet samen met het gemeentelijk afval worden afgevoerd. Het kan worden afgegeven bij de speciale gemeentelijke centra voor gescheiden afvalinzameling of bij verkopers die deze service aanbieden. Door huishoudelijke apparaten gescheiden te verwerken, kunnen mogelijk negatieve gevolgen voor het milieu en de gezondheid door een onjuiste verwerking worden vermeden en kunnen de materialen waaruit het bestaat worden teruggewonnen voor een aanzienlijke besparing van energie en bronnen.

GARANTIE

SICCE geeft aan de oorspronkelijke koper van dit product garantie (zie Uitsluitingen hieronder) tegen materiaal- en fabricagefouten gedurende een periode van vijf (5) jaar vanaf de datum van oorspronkelijke aankoop, met uitzondering van de rotor van de pomp, die een garantie heeft voor een periode van zes (6) maanden. Deze garantie is beperkt tot reparatie of vervanging (naar keuze van Sicce) van het defecte product en dekt geen verlies van siervijverleven, persoonlijk letsel, verlies van eigendommen of schade als gevolg van het gebruik van het product. We raden u aan het originele aankoopbewijs te bewaren om de garantie te valideren. Garantieclaims moeten worden ingediend bij de detailhandelaar waar u het product hebt gekocht. Het niet overleggen van een aankoopbewijs bij de claim, maakt het recht op de garantie ongeldig. U kunt via de website www.sicce.com, in de juiste sessie, om hulp vragen als het niet mogelijk is geweest om contact op te nemen met de dealer. Ook in dit geval is het aankoopbewijs een fundamentele vereiste voor de correcte uitvoering van de retourprocedure. Elke garantie hierin zal gelijktijdig lopen met, en niet in aanvulling op, eventuele minimale garantieperiodes die zijn vastgesteld door de toepasselijke wetgeving. De eiser moet een "Return Merchandise Authorization" verkrijgen op het moment van indiening voordat hij een product verzendt voor garantie of technische service. De verzendkosten van en naar het servicecentrum of reparatiestation zijn voor de koper. **UITSLUITINGEN.** Deze garantie dekt niet het volgende: *Schade als gevolg van een ongeval, verkeerd gebruik, misbruik, gebrek aan redelijke zorg, gebruik van het product dat anders is dan normaal of gewoon, gebruik van het project in abnormale werkomstandigheden of andere storingen die niet het gevolg zijn van materiaal- of fabricagefouten. *Schade als gevolg van modificatie, manipulatie of poging tot reparatie door iemand anders dan Sicce of diens aangewezen persoon. * Overdracht van het product aan iemand anders dan de oorspronkelijke koper. * Het product onderwerpen aan een elektrische dienst die niet in de verpakking is gespecificeerd; de oorspronkelijke koper is verantwoordelijk voor het leveren van adequate elektrische faciliteiten."

ONTDEK HOE U UW PRODUCT GEGARANDEERD KRIJGT VOOR 5 JAAR Om onze service en de tevredenheid van onze klanten te verbeteren, biedt Sicce de mogelijkheid om de garantie met 2 jaar (in totaal 5 jaar) te verlengen door uw product eenvoudig te registreren op onze website www.sicce.com, bij "Ondersteuning/ productregistratie".

EN

IT

DE

FR

ES

NL

PT

FILTRAPOND

EN

IT

DE

FR

ES

NL

PT

FILTRAPOND

A gama de filtros FILTRAPOND foi projetada para uma utilização fácil e prática nas lagoas. Os filtros são equipados com esponjas que asseguram uma filtragem mecânica eficiente: uma esponja lateral com densidade menor para favorecer o bloqueio de partículas de impurezas grandes e uma ampla esponja superior com densidade maior para capturar impurezas mais finas.

As pedras especiais de material poroso, para além das esponjas, favorecem a filtragem biológica e contribuem para alcançar e manter a limpeza da água em breve tempo.

Esterilização por meio de raios UV-C. Esta função é assegurada pela lâmpada UV-C especial, incluída no aparelho. A água no interior do filtro segue um percurso forçado que a canaliza para dentro o invólucro onde encontra-se a lâmpada. Esta, graças aos seus raios UV-C, neutraliza as algas e torna a água límpida.

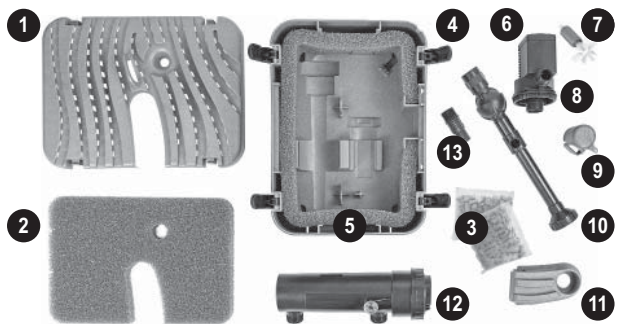
INSTRUÇÕES DE SEGURANÇA

Los Filtro FILTRAPOND son em conformidade com leis nacionais e internacionais de segurança. A fim de evitar danos a pessoas ou coisas, recomendamos respeitar as instruções a seguir.

- IMPORTANTE** Sempre desconecte o plugue da tomada e quaisquer outros aparelhos no lago antes de tocar na água, antes de qualquer instalação ou manutenção e mesmo quando os aparelhos não estão em uso.
- CUIDADO:** os raios ultravioletas são perigosas. Nunca olhar diretamente nem toque na lâmpada UV-C quando ela está acesa. Isso pode prejudicar os olhos e a pele. Para verificar o funcionamento da lâmpada, usar o indicador luminoso UV-C (A).
- Este produto é um filtro esterilizador com lâmpada UV-C interna para uso em lagos ornamentais. Não utilize o aparelho para qualquer outra aplicação.
- Nunca use o cabo de força para levantar ou mover o aparelho.
- Não utilize o aparelho para piscinas ou em outras aplicações onde pessoas possam estar em contato com a água em que o aparelho está conectado.
- Não utilize o aparelho se o cabo de alimentação ou plugue estiver danificado. Se o produto estiver danificado deverá ser substituído por um centro especializado.
- Mantenha crianças e pessoas com deficiência longe deste aparelho.
- A alimentação elétrica deve estar de acordo com os dados escritos no rótulo do produto.
- Se um cabo de extensão é necessário, certifique-se que seja impermeável.
- El producto ha sido diseñado para operar con agua en un rango de temperatura entre +4° C y +35° C.
- Se a temperatura ficar abaixo de 0° C, desligue e esvazie completamente o filtro. Durante o inverno é melhor remover o filtro e armazená-lo em um local abrigado.
- Nunca utilize o aparelho sem água.
- Nunca utilize o aparelho com qualquer líquido que não seja água doce.
- Nunca ligue o filtro em um sistema hidráulico.

COMPONENTES

- Invólucro em plástico reciclado
- Esponjas de superfície 20ppi
- Pedras porosas
- Ganchos de fecho
- Esponja lateral
- Bomba
- Rotor com árvore comoldada
- Pré-câmara da bomba- Peça de reposição
- Transportador
- Conjunto de jogos de água
- Tampa da bomba
- Esterilizador UV-C
- Adaptador com rosca



CARACTERÍSTICAS

- Funcionamento 24 com bomba de baixo consumo energético
- Esterilizador UV-C incorporado com indicador luminoso
- Cabo de alimentação único para bomba e esterilizador UVC
- Superfície filtrante ampla
- Invólucro em plástico reciclado resistente e robusto
- Tubo telescópico com articulação orientável
- Grade de aspiração superior com função antientupimento
- Manilha prática para o transporte do filtro ou para o engate de uma corda adequada a facilitar a recuperação do próprio filtro

INSTALAÇÃO DO FILTRO

Posicionar o filtro no fundo da lagoa Utilizar uma eventual elevação se o tubo telescópico, mesmo na extensão máxima, não saia da água. (Ver as Medidas FILTRAPOND B)

Adicionar o jogo de água pré-escolhido na extremidade do tubo telescópico e orientá-lo caso o filtro não esteja plano.

Conectar o cabo de alimentação só após ter concluído a instalação do filtro. O cabo alimenta quer a bomba quer o esterilizador UV-C. O jogo da água em funcionamento indicará se a bomba está a funcionar, o indicador luminoso azul indicará o funcionamento do esterilizador UV-C.

Nunca puxar o filtro pelo cabo de alimentação: podia causar danos ao cabo e ao produto.

Levantar o filtro só por meio da manilha presente na tampa. Eventualmente, engatar uma corda de recuperação à manilha para facilitar a operação.

MANUTENÇÃO DO FILTRO (Limpeza e substituição das esponjas)

Soltar os quatro engates (C) e remover lateralmente a tampa (D). Não é necessário desconectar o tubo telescópico e os jogos de água para a limpeza das esponjas.

Extrair a esponja superior (E) e lateral (F) da base do filtro (G) para facilitar as operações de lavagem

Para a manutenção da bomba, soltar antes o tubo telescópico (H) e remover a tampa (I) por cima da bomba.

Após remover a bomba (L), soltar o parafuso (M) na parte frontal. Extrair o transportador frontal (N) e rodar a pré-câmara (O) no sentido contrário aos ponteiros do relógio para afastá-la do corpo da bomba. Extrair de modo firme o rotor (P) da sua sede, (há uma forte atração magnética), prestar atenção em efetuar o movimento com delicadeza, para não danificar os componentes internos. Proceder à limpeza do rotor com uma escovinha, sabões neutros ou o produto PUMP CLEAN da Sicce.

Repetir as operações acima descritas na ordem inversa, prestar atenção novamente ao reinserir o rotor na sua sede. Fixar a pré-câmara ao corpo e rodá-la no sentido dos ponteiros do relógio. Inserir o transportador na mesma. Ambos devem ser dirigidos corretamente para que seja possível reapertar o parafuso de segurança.

Para a manutenção do esterilizador UV-C ou para a substituição da lâmpada, extraí-lo antes da base (Q).

SUBSTITUIÇÃO DA LÂMPADA UV-C

Para ter uma potência de filtragem ideal, recomenda-se trocar a lâmpada UV-C após de cerca de 8.000 horas de funcionamento.

Desconectar o filtro da tomada de corrente.

1. Rodar o aro externo (R) no sentido contrário aos ponteiros do relógio até a paragem. A cabeça (S) do filtro eleva-se em alguns milímetros e, deste modo, é facilmente extraível do filtro. Um sistema de segurança apaga a lâmpada, caso não tenha sido retirada a alimentação, para evitar a exposição aos raios UV-C durante a manutenção.
2. Desengatar a lâmpada (T) da sua sede e puxá-la com delicadeza.
3. Remontar a lâmpada nova no mesmo modo.
4. Inserir novamente a cabeça (S) no filtro: há uma única posição da cabeça (S) que permite entrar no filtro (U).
5. Rodar o aro (R) no sentido dos ponteiros do relógio para completar a operação.

LIMPEZA DA PROVETA

6. Para a limpeza da proveta em quartzo, após o ponto 1, extrair o grupo da proveta (V) por meio das

EN

IT

DE

FR

ES

NL

PT

FILTRAPOND

26

EN

duas relativas aberturas (Z) ou com a utilização de uma chave de fenda. Limpar o exterior da proveta com uma escovinha, sabão neutro ou com PUMP CLEAN da Sicce.

7. Inserir novamente o grupo da proveta (T) no filtro: há uma única posição do grupo da proveta que permite que entre no esterilizador (U).
8. Retomar a remontagem a partir do ponto 4.

IT

DE

ASSISTÊNCIA

Sugerimos que veja nossos tutoriais em vídeo para apoiar a instalação e manutenção de produtos , disponível no canal oficial www.youtube.com/SICCEspa.

FR

ES

PRECAUÇÕES PARA DESCARTE CORRETO DO PRODUTO NOS TERMOS DA DIRECTIVA CE 2002/96 / CE

Se usada ou quebrada, esta bomba não pode ser descartada como lixo comum. Verifique a legislação vigente e procure centros apropriados para descartar a bomba, ou devolva-a ao revendedor. Descarte separadamente qualquer componentes elétrico para não causar danos ao ambiente . Procure centros de reciclagem desse tipo de material.

NL

PT

GARANTIA

SICCE garante este produto (ver Exclusões abaixo) ao comprador original contra defeitos de materiais e mão de obra por um período de cinco (5) anos a partir da data da compra original, exceto para o impulsor da bomba, que é garantido por um período de seis (6) meses. Esta garantia está limitada à reparação ou substituição (a critério da Sicce) apenas de produtos defeituosos e não cobre a perda de vida útil do lago, ferimentos pessoais, perdas materiais ou danos decorrentes do uso do produto. Recomendamos que mantenha o comprovante de compra original para validar a garantia. As reivindicações de garantia devem ser enviadas ao revendedor onde comprou o produto. A falha de apresentação do comprovante de compra anexado à reivindicação invalidará o direito à garantia. Ao conectar-se ao site www.sicce.com, na sessão apropriada, pode solicitar assistência se não for possível entrar em contacto com o revendedor. Também neste caso o comprovante de compra será requisito fundamental para a correta execução do procedimento de devolução. Qualquer garantia neste documento será executada simultaneamente com, e não em adição a, quaisquer períodos mínimos de garantia estabelecidos pela lei aplicável. O reivindicante deve obter uma "Autorização de Devolução de Mercadoria" no momento do depósito antes de enviar qualquer produto para garantia ou serviço técnico. O comprador arca com o custo de envio de e para o centro de manutenção ou oficina de reparação. EXCLUSÕES. Esta garantia não cobre o seguinte: *Danos resultantes de acidente, mau uso, abuso, falta de cuidado razoável, uso do produto que não seja normal ou comum, uso do projeto em condições anormais de trabalho ou quaisquer outras falhas não resultantes de defeitos de materiais ou mão de obra. *Danos resultantes de modificação, adulteração ou tentativa de reparação por qualquer pessoa que não seja da Sicce ou seu representante. * Transferência do produto para alguém que não seja o comprador original. * Submeter o produto a serviço elétrico não especificado na embalagem; o comprador original é responsável por disponibilizar instalações elétricas adequadas."

DESCUBRA CÓMO OBTENER UNA GARANTÍA DE 5 AÑOS PARA SU PRODUCTO Para mejorar nuestro servicio y la satisfacción de nuestros clientes, Sicce ofrece la posibilidad de añadir una extensión de 2 años (5 años en total) a la garantía simplemente registrando su producto en nuestra página web www.sicce.com, en " Soporte/registro del producto".

SICCE S.r.l.

Via V. Emanuele, 115 - 36050 Pozzoleone (VI) - Italy
Tel. +39 0444 462826 - Fax +39 0444 462828 - P. IVA / VAT 02883090249
info@sicce.com • www.sicce.com

SICCE US Inc.

infous@sicce.com • www.sicce-us.com

SICCE AUSTRALIA Pty Ltd

info@sicce.com.au • www.sicce.com.au

80NT/04/A 06-2023 © Sicce All rights reserved